

VICTORIA PLUS SILENT MANUAL
MANUEL VICTORIA PLUS SILENT
MANUAL VICTORIA PLUS SILENT
MANUALE VICTORIA PLUS SILENT
HANDBUCH VICTORIA PLUS SILENT
MANUAL VICTORIA PLUS SILENT
VICTORIA PLUS ΕΓΧΕΙΡΙΔΙΟ ΕΓΚΑΤΑΣΤΑΣΗΣ

دليل مضخة فيكتوريا بلس سايلنت

ORIGINAL INSTRUCTIONS
INSTRUCTIONS D'ORIGINE
INSTRUCCIONES ORIGINALES
ISTRUZIONI ORIGINALI
ORIGINAL ANLEITUNG
INSTRUÇÕES ORIGINAIS
ΑΥΘΕΝΤΙΚΕΣ ΟΔΗΓΙΕΣ
الإرشادات الأصلية



SWIMMING POOL PUMPS
POMPES POUR PISCINES
BOMBAS PARA PISCINAS
POMPA PER PISCINAS
PUMPEN FÜR SCHWIMMBECKEN
BOMBAS PARA PISCINAS
ΑΝΤΛΙΕΣ ΠΙΣΙΝΑΣ

مضخات المسابح



ASTRALPOOL



VICTORIA PLUS SILENT

English - SWIMMING POOL PUMPS INSTALLATION AND GENERAL MAINTENANCE MANUAL	3
--	---

Français - POMPES POUR PISCINES MANUEL D'INSTALLATION ET MAINTENANCE GÉNÉRALE	13
--	----

Español - BOMBAS PARA PISCINAS MANUAL DE INSTALACIÓN Y MANTENIMIENTO GENERAL	23
---	----

Italiano - POMPE PER PISCINE MANUALE DI INSTALLAZIONE E MANUTENZIONE GENERALE	33
--	----

Deutsch - PUMPEN FÜR POOLS ALLGEMEINES INSTALLATIONS- UND WARTUNGSHANDBUCH	43
---	----

Português - BOMBAS PARA PISCINAS MANUAL DE INSTALAÇÃO E MANUTENÇÃO GERAL	53
---	----

Ελληνικά - ΑΝΤΛΙΕΣ ΠΙΣΙΝΑΣ ΕΓΧΕΙΡΙΔΙΟ ΕΓΚΑΤΑΣΤΑΣΗΣ ΚΑΙ ΣΥΝΤΗΡΗΣΗΣ	63
--	----

73.....

عربي - مضخات المسابح دليل التركيب والصيانة العامة



Recycling

This symbol is required by European Community Directive 2012/19/UE on WEEE (Waste Electrical and Electronic Equipment) and means that your appliance must not be thrown into a normal bin. It will be selectively collected for the purpose of reuse, recycling or transformation. Any substances it may contain which are potentially dangerous to the environment shall be eliminated or neutralized. Request information on recycling procedures from your retailer.

Recyclage

Ce symbole est requis par la Directive de la Communauté Européenne 2012/19 / UE sur les DEEE (Déchets d'Équipements Électriques et Électroniques) et signifie que votre appareil ne doit pas être jeté dans une poubelle normale. Il sera collecté de manière sélective à des fins de réutilisation, de recyclage ou de transformation. Toutes les substances qu'il peut contenir et qui sont potentiellement dangereuses pour l'environnement doivent être éliminées ou neutralisées. Demandez des informations sur les procédures de recyclage à votre revendeur.

Reciclaje

Este símbolo es exigido por la Directiva 2012/19/UE de la Comunidad Europea sobre RAEE (residuos de aparatos eléctricos y electrónicos) e indica que no se debe tirar el aparato al contenedor normal. Habrá que realizar una recogida selectiva con el fin de reutilizarlo, reciclarlo o transformarlo y de eliminar o neutralizar cualquier sustancia que pueda contener y sea potencialmente peligrosa para el medio ambiente. Pida información sobre los procesos de reciclaje en su punto de venta.

Riciclaggio

Questo simbolo è richiesto dalla Direttiva della Comunità Europea n. 2012/19/UE sui rifiuti di apparecchiature elettriche ed elettroniche (RAEE) e indica che il dispositivo acquistato non deve essere gettato in un normale cestino. Sarà invece oggetto di raccolta differenziata a scopo di riutilizzo, riciclaggio o trasformazione. Qualora il medesimo contenesse delle sostanze potenzialmente nocive per l'ambiente occorre eliminarle o neutralizzarle. Per ulteriori informazioni sulle procedure di riciclaggio rivolgersi al proprio rivenditore.

Recycling

Dieses Symbol ist nach der Richtlinie der Europäischen Gemeinschaft 2012/19/UE über WEEE (Elektro- und Elektronikgeräte-Abfall) vorgeschrieben und bedeutet, dass Ihr Gerät nicht über den Hausmüll entsorgt werden darf. Es wird für seine Wiederverwendung, Recycling oder Umwandlung getrennt gesammelt. Jegliche eventuell darin enthaltenen potenziell umweltgefährdende Stoffe müssen entsorgt oder neutralisiert werden. Ihr Händler kann Sie über Recyclingverfahren informieren.

Reciclagem

Este símbolo é exigido pela Diretiva da Comunidade Europeia 2012/19/UE relativa aos REEE (Resíduos de Equipamentos Elétricos e Eletrónicos) e indica que o seu aparelho não deve ser descartado juntamente com o lixo urbano. Será recolhido seletivamente para fins de reutilização, reciclagem ou transformação. Quaisquer substâncias potencialmente nocivas para o meio ambiente que contenham devem ser eliminadas ou neutralizadas. Solicite mais informações sobre os procedimentos de reciclagem ao seu distribuidor.

Ανακύκλωση

Το σύμβολο αυτό απαιτείται σύμφωνα με την Οδηγία της Ευρωπαϊκής Κοινότητας 2012/19/UE σχετικά με τα Αποβλήτα ηλεκτρικού και ηλεκτρονικού εξοπλισμού (WEEE) και σημαίνει ότι η συσκευή σας δεν πρέπει να απορριφθεί σε συμβατικό κάδο απορριμμάτων. Θα συλλεχθεί με ειδικό τρόπο, με σκοπό την εκ νέου χρήση, την ανακύκλωση ή τον μετασχηματισμό. Οι ουσίες που μπορεί να περιέχει, οι οποίες είναι δυνητικά επικίνδυνες για το περιβάλλον, πρέπει να εξελεγχθούν ή να εξουδετερωθούν. Ζητήστε πληροφορίες σχετικά με τις διαδικασίες ανακύκλωσης από το κατάστημα λιανικής πώλησης.

إعادة التدوير

بشأن نفايات الأجهزة UE/هذا الرمز مطلوب بموجب توجيه الجماعة الأوروبية 19/2012 ويعني أنه يجب عدم إلقاء الجهاز في حاوية عادية. وسيتم (WEEE) الكهربائية والإلكترونية جمعها بشكل منفصل لغرض إعادة الاستخدام أو إعادة التدوير أو التحويل. ويجب التخلص من أي مواد قد تحتوي عليها والتي يُحتمل أن تكون خطرة على البيئة أو تسميتها. يمكنك طلب معلومات حول إجراءات إعادة التدوير من بائع التجزئة.

IMPORTANT SAFETY, INSTALLATION AND MAINTENANCE INFORMATION

This manual contains basic information on the safety measures to be adopted during installation, maintenance and start-up. The fitter and the user must therefore read the instructions before installation and start-up.

The manual can be downloaded as a PDF file from the website: www.astralpool.com



- The units described in this Manual are specially designed for the pre-filtering and recirculation of water in swimming pools.

- They are designed to work with clean water at temperatures that do not exceed 35°C.



- All assembly, electrical installation and maintenance work must be carried out by qualified, authorized personnel who have carefully read the installation and service instructions.

- This appliance is not intended for use by persons (including children) with reduced physical, sensory or mental capabilities, or lack of experience and knowledge, unless they have been given supervision or instruction concerning use of the appliance by a person responsible for their safety. Children should be supervised to ensure that they do not play with the appliance.

- This appliance can be used by children aged from 8 years and above and persons with reduced physical, sensory or mental capabilities or lack of experience and knowledge if they have been given supervision or instruction concerning use of the appliance in a safe way and understand the hazards involved. Children shall not play with the appliance. Cleaning and user maintenance shall not be made by children without supervision.






- Our pumps may only be assembled and installed in pools that are compliant with standards IEC / HD 60364-7-702 and required national rules. Should you have any doubts please consult your dealer.

- The installation should follow standard IEC/HD 60364-7-702 and required national rules for swimming pools.

- The pump can not be installed in the Zone 0 and Zone 1. To see drawings refer to page 87.
- The pump is intended to be used while fastened to a support or while secured in a specific location.
- See the maximum total head, in metres in page 100.
- A sump with an adequate outlet for the liquid is considered to be placed where flooding is likely to occur.
- If a self-priming pump is to be fitted above the water level, the pressure differential to the pump suction pipe should not be higher than 0.02 MPa (2 mH₂O). Ensure that the suction pipe is as short as possible as a longer pipe would increase suction time and the installation's load losses.
- The unit should be connected to an alternating current supply (see data on the pump's plate) with an earth connection, protected by a residual current device (RCD) with a rated residual operating current that does not exceed 30 mA.
- See the total head, in metres, in the back cover of the specific manual for each pump range

1. GENERAL SAFETY INSTRUCTIONS

These symbols (  ) indicate the possibility of danger where the corresponding instructions are not followed.



DANGER. Risk of electrocution.

Failure to abide by these instructions may lead to the risk of electrocution.



DANGER.

Failure to abide by these instructions may lead to the risk of injury to people or damage to property.



WARNING.

Failure to abide by these instructions may lead to the risk of damage to the pump or the installation.

2. GENERAL SAFETY REGULATIONS

GENERAL



- Install the pump units in line with the specific instructions for each installation.
- Respect current regulations regarding accident prevention.
- All modifications to the pump require prior authorization from the manufacturer. Original spare parts and accessories authorized by the manufacturer ensure greater safety. The pump manufacturer is exempt from all liability regarding any damage caused by unauthorized spare parts or accessories.



- When working on each unit or others connected to them, disconnect the unit from the power supply and the start-up devices, as the electrical parts of the pump are live during operation.



- To guarantee safety when operating the machine, you must comply with the installation and service instructions.
- In the event of defective operation or faults, contact your supplier or nearest dealer.

WARNINGS DURING INSTALLATION AND ASSEMBLY WORK



- In cases of junction box connections only: when connecting the electrical wiring to the motor, check the layout inside the connection box and make sure there are no pieces of wiring inside after it has been closed and that the grounding conductor is correctly connected. Connect the motor in line with the wiring diagram attached to the machine.

- In cases of junction box connections only: make sure that the electrical wiring connections to the terminal box are well mounted and screwed tightly to the connection terminals.
- Ensure the seal of the motor's junction box is properly fitted to prevent water getting in. Likewise, position and tighten the gland inside the cable duct of the junction box.



- Make sure that water is unable to enter the motor or the live electrical parts.
- Where the intended use is not as indicated, additional technical adaptations and regulations may apply.

WARNINGS DURING START-UP



- Before starting the machine, check the calibration of the electric protection devices on the motor and that the protection against electrical and mechanical contacts is correctly positioned and secure.

WARNINGS DURING ASSEMBLY AND MAINTENANCE WORK



- Follow local installation regulations when assembling and installing the pumps.



- Make sure that water is unable to enter the motor or the live electrical parts.

- Avoid contact at all times - even accidentally - with moving parts while the unit is running and/or before it comes to a complete standstill.



- Wait for the unit to come to a halt before handling it.



- Before any electrical or mechanical maintenance operation, disconnect the unit from the power supply and block the start-up devices.



- Follow the steps below before handling the unit:

1. Disconnect the unit from the mains.

2. Block all start-up devices.



3. Check that there is no voltage in the circuits, even in the auxiliary circuits and additional features.

4. Wait for the impeller to come to a complete standstill.

The above list is a guideline only as there may be other requirements in addition to local laws for safety reasons.



- For regular control:

- Check that the mechanical parts are tightly secured and check the condition of the screws supporting the machine.

- Check that the power conductors and isolating parts are in their correct position, are secure and in a good state of repair.

- Check the temperature of the machine and the electric motor. In the event of a fault, stop the machine immediately and contact the nearest Technical Assistance Service.

- Check for machine vibrations. In the event of a fault, stop the machine immediately and contact the nearest Technical Assistance Service.



- Due to the complex nature of the cases described, the installation, user and maintenance instructions contained in this manual do not seek to examine all possible and imaginable cases of service and maintenance. Should you require additional instructions or have specific problems, please do not hesitate to contact the nearest Technical Assistance Service.

3. INSTALLATION AND ASSEMBLY

GENERAL



- Fit the pump horizontally in order to accommodate the pre-filter. The pumps are fitted with a pre-filter with a basket inside to collect any large particles, as they may damage the hydraulic parts inside the pump.
- All pumps are fitted with a stand with holes in it to anchor it to the ground (Fig. 1).

PIPING



- To connect the piping, glue the pipes and the connectors, supplied together with the pump; the fitting connections to the suction and return ports on the pump are threaded and include seals to prevent water loss (Fig. 2).
- Fit the return pipes completely perpendicular and centered in relation to the port to be connected to prevent the pump and the pipe from being subjected to external stress, which apart from making fitting difficult, could break them (Fig. 2).
- Fit the suction piping on a slight 2% slope towards the pump to avoid the formation of air pockets (Fig. 2).
- To ensure the pump works correctly, prime the pump pre-filter until water rises up through the suction pipe (Fig. 3).

LOCATION



- Fit the pump below the water level in the pool to improve pump performance.



- Make sure that the pump is safe from possible flooding and receives dry ventilation.

ELECTRICAL INSTALLATION



- It is essential that you use a multiple disconnection device with a space of at least 3 mm between surfaces to disconnect the unit from the electrical current.
- Use a rigid cable to connect the pump to the mains. If you use a flexible cable to connect it to the mains, it must have cable lugs to connect it to the terminals of the pump's motor.

- Adjust the value of the ground fault circuit interrupter in line with pump intensity.
- Before connecting the motor, check the type of fuse required.
- Check the layout and connection of the ground cable in the unit.
- Respect the electrical installation and connection instructions. Failure to do so may lead to the pump's manufacturer declining all liability and rendering the warranty null and void.
- The installation may be subject to special regulations.
- Unsuitable mains connections involve the risk of electrocution.

For pumps with a single-phase motor:

- Thermal protection is incorporated.
- Use a motor guard with magneto-thermal protection.
- The adjustment data for the thermal relay is to be used as a guideline, as the motor is already fitted with protection.
- For 230 V, use a H07 RN-F3 type connection sleeve with a cable section that adapts to the power of the motor and to the length of the cable.

For pumps with a three-phase motor:

- Use a motor guard with magneto-thermal protection.
- Protect the pump against overloads with a cut-off switch for the motor.
- Adjust the thermal value according to the thermal protection table. For the connection Δ (3 x 230 V network), use the protection with the highest indicated value. For the connection Y (3 x 400 V network), use the protection with the lowest indicated value.
- Connect the lowest voltage at Δ and the highest at Y for voltage intervals other than 230/400 V; 400/690 V.
- For AC, use a H07 RN-F3 type connection sleeve with a cable section that adapts to the power of the motor and the length of the cable.
- The mains cable may only be connected by skilled, authorised personnel.

4. START-UP INSTRUCTIONS

PRIOR TO START-UP



- Measurements prior to first start-up:

1. Remove the pre-filter cap by unscrewing the nut holding it in place (Fig. 5).
 2. Fill the pump with water through the pre-filter until it rises up through the suction pipe.
 3. Should the basket be removed during these operations, do not forget to replace it to prevent large particles from entering the pump that could block it.
 4. Check that the mains voltage and frequency correspond with those indicated on the pump's rating plate.
- Fit the pre-filter cap and screw on tightly, without forgetting to fit the seal in its housing (Fig. 5).
 - The pumps must not be run without the pre-filter having first been filled with water. Where this is not the case, the mechanical gasket may be damaged, leading to a loss of water.



- Check that the motor rotates in the correct direction by means of the fan located at the back of the motor that can be seen through the view hole on the fan cover (Fig. 6).

START-UP



- Open all the valves and connect the motor.

- Activate the self-priming mode and wait a reasonable time for this to be completed.

5. MAINTENANCE

Depending on the level of water cleanliness, the following should be done every 100 operating hours:



- Clean the pre-filter basket regularly to avoid drops in pressure. To prevent the basket from breaking, do not hit it during the cleaning process.

- Should the pump stop, check that the consumption in amperes of the motor that is running is equal to or below that indicated on the manufacturer's rating plate. If this information is not available, contact the nearest Technical Assistance Service.



- Empty the pump if it is to remain at a standstill for a certain length of time, especially in cold countries where there is a risk of freezing.

- Remove the purge cap to empty the pump.

- Every time the pre-filter is opened, clean the seal and its housing of any impurities to ensure airtightness when the cap is closed (Fig. 5).
- Pump components that, due to their normal use, suffer wear and/or tear must be regularly replaced to ensure good pump performance. The following table lists the fungible and / or consumable components of the pump and the period of time in which they must have been replaced.

DESCRIPTION OF THE COMPONENT	TIME BETWEEN REPLACEMENTS
Capacitor	10,000 h
Bearings	10,000 h
Mechanical seal	10,000 h
O-rings and other sealing components ⁽¹⁾	10,000 h

⁽¹⁾ The opening and closing of the pump for the replacement of any of the inner spare parts does not guarantee the subsequent sealing. For this reason, it is recommended that the O-rings and sealing components are replaced whenever the mechanical seal and / or bearings are changed.

The estimated working life of the above parts has been established according to normal product use and installation conditions.

Follow the instructions in the installation manual to maintain the working life of the pump.

6. REMOVAL



- The motor unit can be removed from the pump body without having to disconnect the pump's suction and return pipes.
- To remove the motor unit from the pump body, remove the screws that join them together.

7. TROUBLESHOOTING

1. The pump is not primed
2. The pump only releases a small flow of water
3. The pump makes a noise
4. The pump will not start
5. The motor is making a noise but will not start
6. The motor has stopped

1	2	3	4	5	6	CAUSES	SOLUTIONS
●	●					Air entering the suction pipe	Check the condition of connections and seals on the suction pipe
●						Filter cap badly sealed	Clean the filter cap and check the condition of the rubber seal
●	●					Motor turning in wrong direction	Invert 2 power phases
●	●		●			Wrong voltage	Check the voltage on the rating plate and that of the mains
	●					Pre-filter blocked	Clean the filter
	●					Load loss in the installation	Prevent parts from causing load loss wherever possible
		●				Pump incorrectly secured	Secure the pump correctly
				●		Motor blocked	Remove the motor and contact the technical service
					●	Increased temperature in the terminal box due to electric arc	Check the junction box connections
					●	The thermal protection trips	Connect the cables correctly to the junction boxes
					●	Incorrect junction box connections	Tighten the cable correctly to the junction box / Adapt the size of the cable connection to the junction box

INFORMATIONS IMPORTANTES SUR LA SÉCURITÉ, L'INSTALLATION ET LA MAINTENANCE

Le manuel que vous avez entre les mains contient l'information fondamentale relative aux mesures de sécurité à adopter pour l'installation, la maintenance et la mise en service. Il est pour cela indispensable que l'installateur et l'utilisateur lisent les instructions avant de passer au montage et à la mise en marche.

Le manuel peut être téléchargé sous format pdf depuis la page suivante : www.astralpool.com



- Les machines citées dans ce manuel sont spécialement conçues pour obtenir le préfiltrage et le recyclage de l'eau dans les piscines.

- Elles sont conçues pour travailler avec des eaux propres et à une température ne dépassant pas les 35°C.



- Les travaux de montage, installation électrique et de maintenance doivent être réalisés par des personnes qualifiées et autorisées ayant lu au préalable les instructions d'installation et de service avec attention.

- Cet appareil n'est pas destiné à être utilisé par des personnes (y compris des enfants) ayant des capacités physiques, sensorielles ou mentales réduites, ou un manque d'expérience et de connaissances, à moins qu'elles n'aient reçu une supervision ou des instructions concernant l'utilisation de l'appareil par une personne responsable de leur sécurité. Les enfants doivent être surveillés pour s'assurer qu'ils ne jouent pas avec l'appareil.

- Cet appareil peut être utilisé par des enfants âgés de 8 ans et plus et des personnes ayant des capacités physiques, sensorielles ou mentales réduites ou un manque d'expérience et de connaissances s'ils ont reçu une supervision ou des instructions concernant l'utilisation de l'appareil en toute sécurité et comprennent les risques. Les enfants ne doivent pas jouer avec l'appareil. Le nettoyage et l'entretien par l'utilisateur ne doivent pas être effectués par des enfants sans surveillance.



- Nos pompes peuvent uniquement être montées et installées dans des piscines conformes aux normes IEC / HD 60364-7-702 et aux dispositions nationales en vigueur. Pour tout renseignement à ce sujet, veuillez consulter votre vendeur.

- L'installation doit être en conformité avec les normes IEC / HD 60364-7-702 et les dispositions nationales en vigueur relatives aux piscines.
- La pompe ne peut pas être installée dans la Zone 0 ou la Zone 1. Pour voir les dessins, reportez-vous à la page : 87
- L'utilisation de la pompe n'est prévue que si celle-ci est fixée à un support ou à l'abri dans un emplacement spécifique.
- Voir la hauteur manométrique totale, exprimée en mètres page 100.
- Il est recommandé d'installer un puisard équipé d'une sortie d'écoulement des liquides afin d'éviter tout risque d'inondation.
- Si vous devez installer une pompe auto-aspirante au-dessus du niveau de l'eau, le différentiel de pression au niveau de l'aspiration de la pompe ne doit pas dépasser 0,02 MPa (2 mH₂O) ; faites en sorte que la conduite d'aspiration soit la plus courte possible puisque un tuyau plus long augmente le temps d'aspiration et les pertes de charge de l'installation.
- L'appareil doit être branché sur une prise de courant (voir informations sur la plaque de caractéristiques de la pompe) avec prise de terre, protégé par un interrupteur différentiel (RCD) avec un courant de fonctionnement résiduel assigné qui n'excède pas 30mA.
- Voir la hauteur totale, en mètres, dans la couverture arrière du manuel spécifique pour chaque gamme de pompes.

1. PRESCRIPTIONS GÉNÉRALES DE SÉCURITÉ

Ces symboles (  ) indiquent une possibilité de danger comme conséquence du manquement aux prescriptions correspondantes.



DANGER. Risque d'électrocution.

L'absence de cette prescription comporte un risque d'électrocution.



DANGER.

L'absence de cette prescription comporte un risque de dommage corporel ou matériel.



ATTENTION.

L'absence de cette prescription comporte un risque de dommage de la pompe ou de l'installation.

2. NORMES GÉNÉRALES DE SÉCURITÉ

GÉNÉRALITÉS



- Effectuer l'installation selon les indications particulières de chaque emplacement.
- Respecter le réglementation en matière de prévention des accidents en vigueur.
- L'autorisation préalable du fabricant est requise pour effectuer toute modification de la pompe. Les pièces de rechange originales et les accessoires autorisés par le fabricant servent à garantir une plus grande sécurité. Le fabricant de la pompe ne saurait être tenu responsable des dommages occasionnés par des pièces de rechange ou des accessoires non autorisés.



- Au moment d'effectuer le travail sur la machine ou sur les équipements qui y sont reliés, débrancher l'équipement du réseau électrique et des dispositifs de démarrage, étant donné que pendant le fonctionnement, les parties électriques de la pompe sont sous tension.



- Suivre tout ce qui est exposé dans les instructions d'installation et de service pour garantir la sécurité lors du fonctionnement de la machine.
- En cas de fonctionnement défectueux ou de panne, contactez votre fournisseur ou un de ses représentants le plus proche.

MISES EN GARDE RELATIVES AUX TRAVAUX D'INSTALLATION ET DE MONTAGE



- Seulement pour les situations qui requièrent une intervention dans la boîte à bornes du moteur, pendant la connexion des câbles électriques au moteur de la machine, soigner la disposition à l'intérieur de la boîte de connexions, vérifier qu'aucun morceau de câble ne soit resté à l'intérieur après sa fermeture et que le conducteur de terre soit correctement branché.

- Seulement pour les situations qui requièrent une intervention dans la boîte à bornes du moteur, fixer les connexions des câbles électriques à la boîte de dérivation de la machine de sorte qu'elles soient bien enchâssées et pincées aux bornes de connexion.
- Utiliser correctement le joint du boîtier de dérivation du moteur électrique pour éviter l'entrée d'eau. En outre, placer et serrer le presse-étoupe à l'intérieur du passe-câbles du boîtier de dérivation.



- Faire particulièrement attention à ce que n'entre pas d'eau dans le moteur et dans les parties électriques en tension et ce d'aucune façon.
- Dans le cas où l'utilisation prévue n'est pas celle qui est mentionnée, appliquer des adaptations et des normes techniques supplémentaires.

MISE EN GARDE RELATIVE À LA MISE EN MARCHÉ



- Avant la mise en marche de la machine, vérifier le calibrage des dispositifs de protection électrique du moteur et contrôler que les protections contre les contacts électriques et mécaniques soient correctement positionnées et fixées.

MISES EN GARDE RELATIVES AUX TRAVAUX DE MONTAGE ET DE MAINTENANCE



- Prendre en considération les réglementations nationales d'installation pour le montage et l'installation des pompes.



- Faire particulièrement attention à ce que n'entre pas d'eau dans le moteur et dans les parties électriques en tension et ce d'aucune façon.



- Eviter à tout moment le contact même accidentel des parties mobiles de la machine pendant son fonctionnement et/ou avant son arrêt total.



- Attendre que la machine soit complètement arrêtée pour effectuer n'importe quelle manipulation sur elle.



- Débrancher la machine du réseau d'alimentation et bloquer les dispositifs de mise en marche avant de procéder à toute intervention de maintenance électrique ou mécanique.



- Suivre les étapes suivantes avant d'effectuer quelque intervention que ce soit sur la machine :
 1. Couper la tension de la machine.
 2. Bloquer les dispositifs de mise en marche.
 3. Vérifier qu'il n'y ait pas de tension dans les circuits, y compris dans les auxiliaires et les services supplémentaires.
 4. Attendre que la turbine s'arrête complètement.

Considérer cette dernière liste non exhaustive, car elle peut ne pas être complète en raison de l'existence éventuelle de critères supplémentaires à la loi nationale aux effets de la sécurité.



- Contrôler régulièrement :
 - La correcte fixation des parties mécaniques et l'état des vis de support de la machine.
 - La correcte position, la fixation et l'état des conducteurs d'alimentation et des parties isolantes.
 - La température de la machine et du moteur électrique. En cas d'anomalie, arrêter immédiatement la machine et contacter le Service d'Assistance Technique le plus proche.
 - Les vibrations de la machine. En cas d'anomalie, arrêter immédiatement la machine et contacter le Service d'Assistance Technique le plus proche.



- Les instructions d'installation, utilisation et maintenance contenues dans ce manuel, en raison de la complexité des cas traités, ne prétendent pas examiner tous les cas possibles et imaginables de service et maintenance. Si des instructions supplémentaires étaient nécessaires ou si des problèmes particuliers surgissaient, ne pas hésiter à contacter le Service d'Assistance Technique le plus proche.

3. INSTALLATION ET MONTAGE

GÉNÉRAL



- Réaliser le montage de la pompe en position horizontale en raison du préfiltre. Les pompes sont dotées d'un préfiltre muni en son intérieur d'un panier pour intercepter les particules volumineuses, étant donné que celles-ci peuvent endommager la partie intérieure hydraulique de la pompe.
- Toutes les pompes sont munies d'un pied avec mèches pour pouvoir les fixer au sol au moyen d'un ancrage (Schéma 1).

TUYAUTERIE



- Pour réaliser la connexion de la tuyauterie, la coller au système de raccords fourni avec la pompe ; les unions du raccord aux bouches d'aspiration et d'impulsion de la pompe sont à vis et sont munies de joints d'étanchéité pour éviter la perte d'eau (Schéma 2).
- Réaliser l'installation des tuyaux d'impulsion complètement perpendiculaire et bien centrée par rapport à la bouche au moment de la connexion afin d'éviter que la pompe et le tuyau soient soumis à des efforts externes qui, en plus de rendre le montage plus difficile, pourraient amener à les casser (Schéma 2).
- Installer la tuyauterie d'aspiration avec une légère pente de 2% vers la pompe pour éviter la formation de poches d'air (Schéma 2).
- Pour le correct fonctionnement de la pompe, procéder à l'amorçage du préfiltre de la pompe jusqu'à ce que l'eau sorte par le conduit d'aspiration (Schéma 3).

EMPLACEMENT



- Pour améliorer le rendement des pompes, les monter en dessous du niveau de l'eau de la piscine ou étang.



- Faire attention à ce que la pompe soit à l'abri de possibles inondations et qu'elle reçoive une ventilation sèche.

INSTALLATION ÉLECTRIQUE



- Il est indispensable d'utiliser un dispositif de sectionnement électrique multiple avec une séparation minimum de 3mm entre les contacts afin de déconnecter l'appareil de l'alimentation électrique.

- Utiliser un câble rigide comme connexion au réseau. Si un câble flexible est utilisé pour la connexion au réseau, celui-ci doit intégrer des terminaux pour son branchement aux bornes du moteur de la pompe.
- Adapter dûment la valeur du disjoncteur de courant résiduel selon l'intensité de la pompe.
- Avant de connecter le moteur, vérifier le type de fusible nécessaire.
- Vérifier la correcte disposition et le branchement du câble de terre lors de l'installation de l'équipement.
- Respecter les conditions d'installation et de connexion électriques : le fabricant de la pompe déclinera toute responsabilité et déclarera la garantie sans effet si ces conditions étaient ignorées.
- Il peut exister plusieurs règlements spéciaux relatifs à l'installation.
- Danger d'électrocution en cas de branchement au réseau incorrect.

Si la pompe est munie d'un moteur monophasique :

- Incorporer un protecteur thermique.
- Utiliser un protège-moteur avec protection magnétothermique.
- Les données de régulation du relais thermique sont simplement données à titre d'exemple étant donné que le moteur est doté d'un protecteur incorporé.
- Pour 230 V, utiliser une gaine de connexion type H07 RN-F3 et adapter la section du câble à la puissance du moteur et à la longueur du câble.

Si la pompe est munie d'un moteur triphasé :

- Utiliser un protège-moteur avec protection magnétothermique.
- Protéger la pompe contre la surcharge avec un interrupteur de sécurité pour le moteur.
- Régler de manière pertinente la valeur du thermique, selon le tableau des protecteurs thermiques. À la connexion Δ (Réseau de 3 x 230 V) correspond le protecteur de la plus grande valeur indiquée. À la connexion Y (Réseau de 3 x 400 V) correspond le protecteur de la plus petite valeur indiquée.
- Connecter la tension la plus basse sur Δ et la tension la plus haute sur Y pour des intervalles de tension différents de 230/400V ; 400/690V.
- Pour du courant alternatif, utiliser une gaine de connexion type H07 RN-F3 où la section du câble s'adapte à la puissance du moteur et à la longueur du câble.
- Le câble secteur ne peut être connecté que par un personnel qualifié et autorisé.

4. INSTRUCTIONS DE MISE EN SERVICE

QUESTIONS RELATIVES À LA MISE EN MARCHÉ



- Mesures à prendre avant la première mise en marche :

1. Démontez le couvercle du préfiltre en dévissant l'écrou qui la soutient (Schéma 5).
 2. Remplir la pompe d'eau par le préfiltre jusqu'à ce qu'elle sorte par le conduit d'aspiration.
 3. Si pendant ces opérations le panier s'était extrait, ne pas oublier de le placer à nouveau à l'intérieur du préfiltre, afin d'éviter l'entrée de particules volumineuses à l'intérieur de la pompe qui pourraient la bloquer.
 4. Vérifier que la tension et la fréquence du réseau correspondent à celle que stipule la plaque de caractéristiques de la pompe.
- Placer le couvercle préfiltre et fermer en le vissant sans oublier de placer le joint à son emplacement (Schéma 5).
- Les pompes ne peuvent en aucun cas travailler sans avoir rempli au préalable le préfiltre d'eau étant donné que dans le cas contraire, cela pourrait endommager le joint mécanique et provoquer la perte d'eau.



- Vérifier que le sens de rotation du moteur est correct en utilisant le ventilateur situé sur la partie arrière du moteur et en observant par le couvercle du ventilateur (Schéma 6).

MISE EN MARCHÉ



- Ouvrir toutes les vannes et brancher le moteur.
- Effectuer l'auto-amorçage de la tuyauterie et attendre qu'il se produise dans un temps raisonnable.

5. MAINTENANCE

Toutes les 100 heures de fonctionnement, selon le niveau de propreté de l'eau, les points suivants doivent être vérifiés :



- Nettoyer le panier du préfiltre régulièrement pour éviter les chutes de pression. Pour éviter une rupture du panier, ne pas le cogner pendant toute la durée du nettoyage.
- Si la pompe s'arrête, vérifier que la consommation en ampères du moteur soit égale ou inférieure à la marque sur la plaque de caractéristiques du fabricant, ou à défaut, contacter le Service d'Assistance Technique le plus proche.



- Vider la pompe si elle doit rester un certain temps sans fonctionner, principalement dans des zones froides où peut exister un risque de congélation.

- Pour effectuer la vidange de la pompe, extraire le bouchon de purge.
- Chaque fois que le préfiltre s'ouvre, nettoyer les impuretés du support du joint pour s'assurer de l'étanchéité de la fermeture du couvercle (Schéma 5).
- Les composants de la pompe, dont l'usage habituel fait qu'ils souffrent d'usure et/ou de détérioration, doivent être changés régulièrement pour maintenir un bon rendement de la pompe. Le tableau suivant répertorie les composants fongibles et / ou consommables de la pompe et la période au cours de laquelle ils doivent avoir été remplacés.

DESCRIPTION DE LA COMPOSANTE	PÉRIODE DE TEMPS À REMPLACER
Condensateur	10 000h
Rodages	10 000h
Fermeture mécanique	10 000h
Joints et autres éléments d'étanchéité ⁽¹⁾	10 000h

⁽¹⁾ L'ouverture et la fermeture de la pompe pour le remplacement de l'une des pièces de rechange inertes ne garantit pas l'étanchéité ultérieure. Pour cette raison, il est recommandé de remplacer les joints toriques et les éléments d'étanchéité lors du remplacement de la garniture mécanique et / ou des roulements.

La période approximative de durée utile des pièces précédentes a été établie dans des conditions normales d'utilisation et d'installation du produit.

Suivre les instructions du manuel d'installation pour maintenir la période de vie utile de la pompe.

6. DÉMONTAGE



- L'ensemble du moteur peut être démonté du corps de la pompe, sans nécessité de débrancher les tuyaux d'aspiration et impulsion de la pompe.
- Pour démonter l'ensemble moteur du corps de la pompe, ôter les vis qui les unissent.

7. TABLEAU DE DYSFONCTIONNEMENTS

1. La pompe ne s'amorce pas
2. La pompe présente un débit faible
3. La pompe fait du bruit
4. La pompe ne démarre pas
5. Le moteur fait du bruit mais ne se met pas en marche
6. Arrêt du moteur

1	2	3	4	5	6	CAUSES	SOLUTIONS
●	●					Entrée d'air par le tuyau d'aspiration	Vérifier l'état des raccords et les joints du tuyau d'aspiration
●						Mauvaise étanchéité du couvercle du filtre	Nettoyer le couvercle filtre et vérifier l'état du joint caoutchouc
●	●					Rotation du moteur inversée	Inverser les 2 phases d'alimentation
●	●		●			Tension erronée	Vérifier la tension de la plaque des caractéristiques et celle du réseau
	●					Préfiltre obstrué	Nettoyer le filtre
	●					Pertes de charge dans l'installation	Eviter au maximum que les éléments produisent des pertes de charge
		●				Fixation incorrecte de la pompe	Fixer correctement la pompe
				●		Moteur bloqué	Démonter le moteur et consulter le service technique
					●	Augmentation de la température dans la boîte de dérivation par effet d'arc de tension	Vérifier les connexions de la boîte de dérivation
					●	Le protecteur thermique s'active	Réaliser correctement la connexion des câbles aux terminaux des boîtes de dérivation
					●	Connexions de la boîte de dérivation mal effectuées	Serrer correctement le câble au terminal / Adapter la taille de la connexion du câble aux terminaux de la boîte de dérivation

INFORMACIÓN IMPORTANTE DE SEGURIDAD, INSTALACIÓN Y MANTENIMIENTO

El manual, que usted tiene en sus manos, contiene información fundamental a cerca de las medidas de seguridad a adoptar a la hora de la instalación , el mantenimiento y la puesta en servicio. Por ello, es imprescindible que tanto el instalador como el usuario lean las instrucciones antes de pasar al montaje y la puesta en marcha.

El manual puede descargarse en pdf desde la siguiente página: www.astralpool.com



- Las máquinas citadas en este Manual están especialmente diseñadas para obtener el prefiltrado y la recirculación del agua en las piscinas.
- Están concebidas para trabajar con aguas limpias y de temperatura que no exceda 35°C.



- Los trabajos de montaje, instalación eléctrica y mantenimiento deben ser llevados a cabo por personas cualificadas y autorizadas, y que éstas hayan leído previamente de forma detenida las instrucciones de instalación y servicio.

- Este aparato no ha sido diseñado para que lo utilicen personas (incluidos niños) con capacidades físicas, sensoriales o mentales reducidas, o con falta de conocimiento y experiencia, a menos que estén bajo supervisión o hayan recibido instrucciones sobre el uso del aparato de una persona que se responsabilice de su seguridad. Los niños deben estar supervisados para que no jueguen con el aparato.

- Este producto pueden utilizarlo niños a partir de los 8 años en adelante y personas con facultades físicas, sensoriales o mentales reducidas o con falta de experiencia y conocimiento, siempre que lo hagan bajo supervisión o siguiendo las instrucciones relativas al uso del producto de forma segura y que tengan conocimiento de los riesgos que entraña. Los niños no deben jugar con el producto. La limpieza y el mantenimiento del usuario no deben realizarlo niños sin supervisión.





- Nuestras bombas solo pueden montarse e instalarse en piscinas que cumplan con las normas IEC / HD 60364-7-702 y la normativa nacional correspondiente. En caso de duda, consulte con su proveedor.

- La instalación debe realizarse según la norma IEC /HD 60364-7-702 y la normativa nacional aplicable sobre piscinas.

- La bomba no se puede instalar en la Zona 0 ni en la Zona 1. Para ver dibujos consulte la página 87.
- La bomba está pensada para ser utilizada estando fijada a un soporte o asegurada en una ubicación específica.
- Ver la altura manométrica, en metros en la página 100.
- Se considera apropiado instalar un sumidero con una salida adecuada para el líquido donde sea probable que ocurra una inundación
- En caso de tener que instalar una bomba autoaspirante por encima del nivel del agua, el diferencial de presión a la aspiración de la bomba no debe ser superior a 0,02 MPa (2 mH₂O), procurando que el conducto de aspiración sea lo más corto posible ya que, una tubería más larga, incrementa el tiempo de aspiración y las pérdidas de carga de la instalación.
- El equipo se debe conectar a una toma de corriente (ver datos en chapa característica de la bomba) con conexión a tierra, protegida con un interruptor diferencial (RCD) con una corriente de funcionamiento residual asignada que no exceda de 30 mA.
- Véase la presión manométrica, en metros, en la cubierta posterior del manual específico para cada gama de bombas.

1. PRESCRIPCIONES GENERALES DE SEGURIDAD

Esta simbología (  ) indica la posibilidad de peligro como consecuencia de no respetar las prescripciones correspondientes.



PELIGRO. Riesgo de electrocución.

La no advertencia de esta prescripción comporta un riesgo de electrocución.



PELIGRO.

La no advertencia de esta prescripción comporta un riesgo de daño a las personas o cosas.



ATENCIÓN.

La no advertencia de esta prescripción comporta un riesgo de daños a la bomba o a la instalación.

2. NORMAS GENERALES DE SEGURIDAD

GENERALIDADES



- Respetar las normas vigentes para la prevención de accidentes.

- Para cualquier modificación en la bomba es requerida la previa autorización del fabricante. Los repuestos originales y los accesorios autorizados por el fabricante sirven para garantizar una mayor seguridad. El fabricante de la bomba queda eximido de toda responsabilidad de los daños ocasionados por repuestos o accesorios no autorizados.



- Al efectuar el trabajo sobre cada máquina o sobre los equipos a ella ligada, hay que desconectar el equipo de la red eléctrica de alimentación y los dispositivos de arranque, ya que durante el funcionamiento las partes eléctricas de la bomba se encuentran bajo tensión.



- Cumplir lo expuesto en las instrucciones de instalación y servicio para garantizar la seguridad en el funcionamiento de la máquina.

- En caso de funcionamiento defectuoso o avería, diríjase a su proveedor o a la representación más próxima del mismo.

ADVERTENCIAS EN LOS TRABAJOS DE INSTALACIÓN Y MONTAJE



- Sólo para casos que requieran intervenir en la caja de bornes del motor, durante la conexión de los cables eléctricos al motor de la máquina, cuidar la disposición en el interior de la caja de conexiones, verificar que no queden trozos de cable en el interior después del cierre y que el conductor de tierra está correctamente conectado.

- Sólo para casos que requieran intervenir en la caja de bornes del motor, asegurar las conexiones de los cables eléctricos a la caja de bornes de la máquina, de manera que queden bien engastadas y apretadas a los bornes de conexión.

- Utilizar correctamente la junta de la caja de bornes del motor eléctrico para evitar la entrada de agua. Igualmente, colocar y apretar el prensaestopa en el interior del pasacables de la caja de bornes.



- Prestar particular atención a que, de ninguna manera entre agua en el motor y en las partes eléctricas en tensión.

- En caso de que la utilización prevista no sea la citada, aplicar adecuaciones y normativas técnicas suplementarias.

ADVERTENCIAS EN LA PUESTA EN MARCHA



- Verificar la calibración de los dispositivos de protección eléctricos del motor y comprobar que las protecciones contra contactos eléctricos y mecánicos estén correctamente posicionadas y fijadas, antes de la puesta en marcha.

ADVERTENCIAS EN LOS TRABAJOS DE MONTAJE Y MANTENIMIENTO



- Tener en cuenta las reglamentaciones de instalaciones nacionales para el montaje e instalación de las bombas.



- Prestar particular atención a que de ninguna manera entre agua en el motor y en las partes eléctricas en tensión.

- Evitar en todo momento el contacto, incluso accidental, con las partes móviles de la máquina durante el funcionamiento de la misma y/o antes de su parada total.

- Esperar a que la máquina esté completamente parada para realizar cualquier manipulación sobre la misma.



- Desconectar la máquina de la red de alimentación y bloquear los dispositivos de puesta en marcha, antes de proceder a cualquier intervención de mantenimiento eléctrico o mecánico.

- Seguir los siguientes pasos antes de efectuar cualquier intervención sobre la máquina:

1. Quitar el voltaje de la máquina.

2. Bloquear los dispositivos de puesta en marcha.

3. Verificar que no haya voltaje presente en los circuitos, incluso en los auxiliares y los servicios suplementarios.

4. Esperar hasta que el rodete se pare completamente.



Considerar la anterior lista como indicativa ya que puede no estar completa debido a que pueden existir requisitos adicionales a la ley nacional a efectos de seguridad.



- Controlar periódicamente:

- La correcta sujeción de las partes mecánicas y el estado de los tornillos de soporte de la máquina.

- La correcta posición, la sujeción y el estado de los conductores de alimentación y de las partes aislantes.

- La temperatura de la máquina y del motor eléctrico. En caso de anomalía, parar inmediatamente la máquina y contacte con el Servicio de Asistencia Técnica más próximo.

- Las vibraciones de la máquina. En caso de anomalía, parar inmediatamente la máquina y contacte con el Servicio de Asistencia Técnica más próximo.



- Las instrucciones de instalación, uso y mantenimiento contenidas en este manual, a causa de la complejidad de los casos tratados, no pretenden examinar todos los casos posibles e imaginables de servicio y mantenimiento. Si son necesarias instrucciones suplementarias o si surgen problemas particulares, no dudar en contactar con el Servicio de Asistencia Técnica más próximo.

3. INSTALACIÓN Y MONTAJE

GENERAL



- Realizar el montaje de la bomba en posición horizontal debido al prefiltro. Las bombas llevan un prefiltro con un cesto en su interior para recoger las partículas gruesas, ya que éstas pueden dañar la parte interior hidráulica de la bomba.
- Todas las bombas están provistas de un pie con taladros para poder sujetarlas en el suelo mediante un anclaje (Fig. 1).

TUBERÍAS



- Para realizar la conexión de la tubería, encolar la tubería a la racordería, suministrada conjuntamente con la bomba; las uniones de la racordería a las bocas de aspiración e impulsión de la bomba son de rosca y llevan juntas de estanqueidad para evitar la pérdida de agua (Fig. 2).
- Realizar la instalación de los tubos de impulsión completamente perpendicular y bien centrada respecto a la boca a conectar con el fin de evitar que la bomba y el tubo estén sometidos a unos esfuerzos externos que, a parte de dificultar el montaje, podría llegar a romperlos (Fig. 2).
- Instalar la tubería de aspiración con una ligera pendiente hacia la bomba del 2% para evitar la formación de bolsas de aire (Fig. 2).
- Para el correcto funcionamiento de la bomba proceder al cebado del prefiltro de la bomba hasta que el agua aflore por el conducto de aspiración (Fig.3).

EMPLAZAMIENTO



- Montar la bomba por debajo del nivel del agua de la piscina o estanque para mejorar el rendimiento de las bombas.



- Procurar que la bomba este a salvo de posibles inundaciones y reciba una ventilación de carácter seco.

INSTALACIÓN ELÉCTRICA



- Es imprescindible utilizar un dispositivo de desconexión múltiple con una separación mínima de 3 mm entre contactos para desconectar el equipo de la alimentación eléctrica.
- Utilizar un cable rígido como conexión a red. En el caso de utilizar un cable flexible para la conexión a la red, éste debe llevar terminales para su conexión a los bornes del motor de la bomba.
- Ajustar convenientemente el valor del disyuntor de corriente residual según intensidad de la bomba.
- Comprobar el tipo de fusible necesario antes de conectar el motor.
- Verificar la correcta disposición y conexión del cable de tierra en la instalación del equipo.
- Respetar las condiciones de instalación y conexiones eléctricas, ya que de no ser así, el fabricante de la bomba declina toda su responsabilidad y considera sin efecto la garantía.
- Pueden existir reglamentos especiales para la instalación.
- Peligro de electrocución en caso de una conexión de red no adecuada.

En caso que la bomba tenga motor monofásico:

- Lleva incorporado un protector térmico.
- Utilizar un guarda-motor con protección magneto-térmica.
- Los datos de regulación del relé térmico son meramente ilustrativos, ya que el motor lleva un protector incorporado.
- Para 230 V utilizar una manguera de conexión tipo H07 RN-F3 y adaptar la sección del cable a la potencia del motor y a la longitud del cable.

En caso que la bomba tenga motor trifásico:

- Utilizar un guarda-motor con protección magneto-térmica.
- Proteger la bomba para sobrecarga con un interruptor de seguridad para el motor.
- Ajustar convenientemente el valor del térmico, según tabla de protectores térmicos. Para la conexión Δ (Red de 3 x 230 V.) corresponde el protector del mayor valor indicado. Para la conexión Y (Red de 3 x 400 V.) corresponde el protector de menor valor.
- Conectar la tensión más baja en Δ y la tensión más alta en Y para intervalos de tensión distintos a 230/400V;400/690V.
- Para corriente alterna utilizar una manguera de conexión tipo H07 RN-F3 donde la sección del cable se adapte a la potencia del motor y a la longitud del cable.
- Para conectar el cable de red, éste sólo puede ser conectado por personal cualificado y autorizado.

4. INSTRUCCIONES DE PUESTA EN SERVICIO

CUESTIONES PREVIAS A LA PUESTA EN MARCHA



- Medidas antes de la primera puesta en marcha:

1. Desmontar la tapa del prefiltro, desenroscando la tuerca que la sujeta (Fig. 5).
 2. Llenar de agua la bomba por el prefiltro hasta que aflore por el conducto de aspiración.
 3. Colocar de nuevo el cesto en el interior del prefiltro, si durante estas operaciones se hubiese extraído, con el objeto de evitar la entrada de partículas gruesas en el interior de la bomba que podrían llegar a bloquearla.
 4. Comprobar que la tensión y la frecuencia de la red se corresponden con las determinadas en la placa de características de la bomba.
- Colocar la tapa prefiltro y cerrar enroscándola, sin olvidar colocar la junta en su alojamiento (Fig.5).
- Las bombas en ningún caso pueden trabajar sin haber llenado previamente el prefiltro de agua, ya que de lo contrario, ello puede dañar la junta mecánica, provocando pérdida de agua por ésta.



- Comprobar que el sentido de rotación del motor es el correcto, utilizando el ventilador situado en la parte trasera del motor, y observándolo a través de la mirilla de la tapa del ventilador (Fig. 6).

PUESTA EN MARCHA



- Abrir todas las válvulas y conectar el motor.
- Efectuar el autocebado de la tubería y esperar a que se realice en un tiempo razonable.

5. MANTENIMIENTO

Cada 100 horas de funcionamiento en función del nivel de limpieza del agua, se deben revisar los siguientes puntos:



- Limpiar regularmente el cesto del prefiltro para evitar caídas de presión. No golpearlo durante el proceso de limpieza para evitar una posible rotura del cesto.
- Si la bomba se para, comprobar que el consumo en amperios del motor en funcionamiento es igual o inferior al marcado en la placa de características del fabricante, o en su defecto dirigirse al Servicio de Asistencia Técnica más próximo.



- Vaciar la bomba de agua en los casos que tenga que permanecer algún tiempo sin funcionar, principalmente en países fríos donde pueda existir peligro de congelación.
- Para efectuar el vaciado de la bomba, extraer el tapón de purga.
- Cada vez que se abra el prefiltro, limpiar de impurezas el asiento de la junta y la propia junta, para asegurar la estanqueidad en el cierre de la tapa (Fig. 5).
- Los componentes de la bomba que por su uso habitual sufren desgaste y/o deterioro han de ser repuestos periódicamente para mantener el buen rendimiento de la bomba. En la siguiente tabla se detallan los componentes fungibles y/o consumibles de la bomba y el periodo de tiempo en el cuál deben sustituirse:

DESCRIPCIÓN DEL COMPONENTE	PERIODO DE TIEMPO PARA SER SUSTITUIDO
Condensador	10.000 h
Rodamientos	10.000 h
Cierre mecánico	10.000 h
Juntas y otros elementos de estanqueidad ⁽¹⁾	10.000 h

⁽¹⁾ La apertura y cierre de la bomba para la sustitución de alguno de los recambios internos no garantiza la posterior estanqueidad. Por este motivo se recomiendan sustituir, las juntas tóricas y elementos de estanqueidad siempre cuando se sustituya la junta mecánica y/o rodamientos.

El periodo de vida de las piezas anteriores ha sido establecido según condiciones normales de uso e instalación del producto.

Seguir las instrucciones del manual de instalación para mantener el periodo de vida de la bomba.

6. DESMONTAJE



- El conjunto del motor puede ser desmontado del cuerpo de la bomba, sin necesidad de desconectar las tuberías de aspiración e impulsión de la bomba.
- Para desmontar el Conjunto motor del cuerpo de la bomba, quitar los tornillos que los unen.

7. TABLA DE FALLOS

- | | |
|----------------------------|--|
| 1. La bomba no se ceba | 4. La bomba no arranca |
| 2. La bomba da poco caudal | 5. El motor hace ruido pero no se pone en marcha |
| 3. La bomba hace ruido | 6. Paro del motor |

1	2	3	4	5	6	CAUSAS	SOLUCIONES
●	●					Entrada de aire por la tubería de aspiración	Comprobar el estado de racores y juntas del tubo de aspiración
●						Mala estanqueidad de tapa del filtro	Limpiar la tapa filtro y comprobar estado de la junta goma
●	●					Giro del motor invertido	Invertir 2 fases de la alimentación
●	●		●			Voltaje erróneo	Comprobar el voltaje de la placa característica y el de la red
	●					Prefiltro obturado	Limpiar el filtro
	●					Pérdidas de carga en la instalación	Evitar al máximo que los elementos produzcan pérdidas de carga
		●				Fijación incorrecta de la bomba	Fijar correctamente la bomba
				●		Motor bloqueado	Desmontar el motor y acudir al servicio técnico
					●	Aumento de la temperatura en la caja de bornes por efecto de arco voltaico	Comprobar las conexiones de la caja de borne
					●	Salta el protector térmico	Realizar correctamente la conexión de los cables con los terminales de las cajas de bornes
					●	Conexiones caja bornes mal efectuadas	Apretar correctamente el cable con el terminal / Adecuar el tamaño de la conexión del cable a los terminales de la caja de bornes

INFORMAZIONI IMPORTANTE DI SICUREZZA, INTALLAZIONE E MANUTENZIONE

Il presente manuale contiene informazioni fondamentali sulle misure di sicurezza da adottare durante l'installazione, manutenzione e la messa in servizio. È pertanto imprescindibile che l'installatore e l'utente leggano le istruzioni prima di procedere al montaggio e avvio.

Il manuale in formato pdf si può scaricare dal seguente sito: www.astralpool.com



- Le macchine indicate in questo manuale sono appositamente progettate per la pre-filtrazione e il ricircolo dell'acqua nelle piscine.

- Sono concepite per funzionare con acqua pulita e a temperature non superiori a 35°C.



- I lavori di montaggio, installazione elettrica e manutenzione devono essere effettuati da personale qualificato e autorizzato, dopo aver letto attentamente le istruzioni di installazione e di manutenzione.

- Questo dispositivo non può essere utilizzato da persone (adulti o bambini) con ridotte capacità fisiche, sensoriali o mentali oppure prive di esperienza e conoscenze, a meno che ciò non avvenga sotto la supervisione di una persona responsabile della loro sicurezza o previa ricezione da parte di quest'ultima di istruzioni relative all'uso in sicurezza del dispositivo. Sorvegliare i bambini per evitare che giochino con il dispositivo.

- Questo dispositivo può essere utilizzato da bambini a partire dagli 8 anni, nonché da persone con ridotte capacità fisiche, sensoriali e mentali, inesperte o prive di conoscenze, purché un'altra persona le sorvegli o abbia fornito loro le istruzioni necessarie per utilizzare il dispositivo in sicurezza, facendo loro capire anche i pericoli implicati. Questo dispositivo non è un giocattolo. I bambini non possono eseguire interventi di pulizia o manutenzione senza la supervisione di un adulto.




- Le nostre pompe possono essere montate e installate solo in piscine conformi alle norme IEC/HD 60364-7-702 e alle leggi nazionali applicabili. In caso di dubbi consultare il proprio rivenditore.

- L'installazione deve essere conforme allo standard IEC/HD 60364-7-702 e alle leggi nazionali applicabili alle piscine

- La pompa non può essere installata nella Zona 0 né nella Zona 1. Per consultare i disegni andare a pagina: 87.
- La pompa è stata pensata per essere utilizzata fissata a un supporto o assicurata in un luogo specifico.
- Consultare la prevalenza massima della pompa in metri a pagina 100.
- È consigliabile installare un pozzetto di fondo con apposita uscita per lo scarico del liquido in un punto con una certa probabilità di allagamento.
- Se fosse necessario installare una pompa autoaspirante sopra il livello dell'acqua, il differenziale di pressione dell'aspirazione della pompa non dev'essere superiore a 0,02 MPa (2 mH₂O), facendo in modo che il condotto di aspirazione sia il più corto possibile, poiché una tubatura più lunga incrementa il tempo di aspirazione e le perdite di carico dell'installazione.
- La macchina va collegata ad una presa di tensione a corrente alternata (Vedi dati su coperchio delle caratteristiche della pompa), con una connessione a terra, protetta con un interruttore differenziale (RCD) con una corrente di servizio residua assegnata che non ecceda i 30 mA.
- Consultare la prevalenza totale, in metri, sul retro del manuale specifico di ogni gamma di pompe.

1. PRESCRIZIONI GENERALI DI SICUREZZA

Questi simboli (  ) indicano una possibile situazione di pericolo come conseguenza del mancato rispetto delle istruzioni corrispondenti.



PERICOLO. Rischio di folgorazione.

La mancata osservanza di questa prescrizione comporta il rischio di folgorazione.



PERICOLO.

La mancata osservanza di questa prescrizione comporta il rischio di danni a persone e cose.



ATTENZIONE.

La mancata osservanza di questa prescrizione comporta il rischio di danni alla pompa o all'impianto.

2. NORME GENERALI DI SICUREZZA

INDICAZIONI GENERALI



- L'installazione va effettuata secondo le indicazioni specifiche di ogni impianto.

- Rispettare le norme vigenti per la prevenzione di incidenti.

- Per qualsiasi modifica della pompa è necessaria l'autorizzazione preliminare da parte del fabbricante. Lo scopo dei ricambi originali e degli accessori autorizzati dal fabbricante è quello di garantire una maggiore sicurezza. Il fabbricante della pompa declina ogni responsabilità per danni causati da ricambi o accessori non autorizzati.



- Prima di effettuare il lavoro su una macchina o sui dispositivi ad essa collegati, è necessario scollegare l'apparecchiatura dalla rete elettrica e dai dispositivi di avvio, dato che durante il funzionamento le parti elettriche della pompa sono sotto tensione.



- Rispettare quanto illustrato nelle istruzioni di installazione e manutenzione al fine di garantire la sicurezza nel funzionamento della macchina.

- In caso di funzionamento difettoso o di guasto, rivolgersi al fornitore o al suo rappresentante più vicino.

AVVERTENZE PER LE OPERAZIONI DI INSTALLAZIONE E MONTAGGIO



- Solo per i casi che richiedono l'intervento sulla morsettiera del motore, durante il montaggio dei cavi elettrici sul motore della macchina, occorre fare attenzione alla loro disposizione all'interno della scatola di connessione, verificare che non vi siano pezzi di cavo all'interno dopo la chiusura e che il conduttore di messa a terra sia collegato correttamente.

- Solo per i casi che richiedono l'intervento sulla morsettiera del motore, occorre fissare le connessioni dei cavi elettrici alla morsettiera della macchina, in modo tale che siano ben inseriti e fissati ai morsetti di collegamento.

- Utilizzare correttamente la guarnizione della scatola di derivazione del motore elettrico al fine di evitare l'ingresso dell'acqua. Inoltre posizionare e stringere il premistoppa all'interno del passacavi della morsettiera.



- Controllare che l'acqua non penetri nel motore né nelle parti elettriche in tensione.

- Nel caso in cui l'utilizzo previsto non sia quello menzionato, applicare adattamenti e normative tecniche supplementari.

AVVERTENZE PER AVVIO



- Prima di avviare la macchina, verificare la taratura dei dispositivi elettrici di protezione del motore; verificare inoltre che le protezioni dai contatti elettrici e meccanici siano collocate e fissate correttamente.

AVVERTENZE PER LE OPERAZIONI DI MONTAGGIO E MANUTENZIONE



- Per il montaggio e l'installazione delle pompe occorre attenersi alle regolamentazioni nazionali in materia di montaggio e installazione di pompe.



- Controllare che l'acqua non penetri nel motore né nelle parti elettriche in tensione.

- Evitare sempre il contatto, anche accidentale, con le parti mobili della macchina durante il suo funzionamento e/o prima del suo arresto completo.



- Aspettare che la macchina sia completamente ferma prima di effettuare qualsiasi intervento su di essa.



- Scollegare la macchina dalla rete elettrica e bloccare i dispositivi di avvio prima di procedere a qualunque intervento di manutenzione elettrica o meccanica.

- Prima di procedere a qualunque intervento sulla macchina seguire questa procedura:



1. Togliere tensione alla macchina.

2. Bloccare i dispositivi di messa in funzione



3. Verificare che i circuiti, compresi i dispositivi ausiliari e i servizi supplementari, siano privi di tensione.



4. Attendere il completo arresto della girante.

Considerare l'elenco precedente come indicativo, dal momento che potrebbe non essere completo per l'esistenza di requisiti aggiuntivi alla legge nazionale ai fini della sicurezza.



- Controllare periodicamente:

- Il corretto serraggio delle parti meccaniche e lo stato delle viti che supportano la macchina.

- La corretta posizione, il serraggio e lo stato dei conduttori di alimentazione e delle parti isolanti.

- La temperatura della macchina e del motore elettrico. In caso di anomalia, arrestare immediatamente la macchina e rivolgersi al Servizio di Assistenza Tecnica più vicino.

- Le vibrazioni della macchina. In caso di anomalia, arrestare immediatamente la macchina e rivolgersi al Servizio di Assistenza Tecnica più vicino.



- Le istruzioni di installazione, uso e manutenzione contenute in questo manuale, a causa della complessità dei casi trattati, non pretendono di esaminare tutti i casi possibili e immaginabili di servizio e manutenzione. Qualora si rendessero necessarie istruzioni supplementari o si verificassero problemi particolari, non esitare a rivolgersi al Servizio di Assistenza Tecnica più vicino.

3. INSTALLAZIONE E MONTAGGIO

INDICAZIONI GENERALI



- Effettuare il montaggio della pompa in posizione orizzontale, a motivo del prefiltro. Le pompe sono dotate di un prefiltro con un cesto interno che serve a raccogliere le particelle più grosse che potrebbero danneggiare la parte idraulica interna della pompa.

- Tutte le pompe sono dotate di una base con fori per l'ancoraggio al basamento (Fig. 1).

TUBAZIONI



- Per effettuare il collegamento delle tubazioni, incollarle ai raccordi forniti assieme alla pompa; le giunzioni dei raccordi alle bocche di aspirazione e ritorno della pompa sono filettate e presentano guarnizioni a tenuta stagna per evitare le perdite d'acqua (Fig. 2).

- Effettuare l'installazione delle tubazioni di ritorno in perpendicolare e centrata rispetto alla bocca da collegare, al fine di evitare che la pompa e il tubo siano sottoposti a sforzi esterni che, oltre a rendere difficile il montaggio, potrebbero provocarne la rottura (Fig. 2).

- Installare i tubi di aspirazione con una leggera pendenza del 2% verso la pompa, per evitare la formazione di sacche d'aria (Fig. 2).

- Al fine di assicurare il corretto funzionamento della pompa, procedere all'avvio del prefiltro fino a quando l'acqua affiora dal condotto di aspirazione (Fig. 3).

COLLOCAZIONE



- Montare la pompa al di sotto del livello dell'acqua della piscina o vasca, per migliorare il rendimento delle pompe.



- Fare in modo che la pompa sia protetta da possibili inondazioni e riceva una ventilazione con aria asciutta.

INSTALLAZIONE ELETTRICA



- È imprescindibile utilizzare un dispositivo di disconnessione multipla con una separazione minima di 3 mm tra i contatti per scollegare l'apparecchio dalla alimentazione elettrica.

- Utilizzare un cavo fisso per il collegamento alla rete. In caso si utilizzi un cavo volante per il collegamento alla rete, questo dovrà essere dotato di terminali per il collegamento ai morsetti del motore della pompa.

- Regolare opportunamente il valore dell'interruttore differenziale in base all'intensità della pompa.

- Verificare il tipo di fusibile necessario prima di collegare il motore.

- Verificare la corretta disposizione e il collegamento del cavo di terra nell'installazione della macchina.
- Rispettare le condizioni di installazione e i collegamenti elettrici dato che, in caso contrario, il fabbricante della pompa declina ogni responsabilità e considera non valida la garanzia.
- È possibile che per l'installazione esistano regolamenti specifici.
- Pericolo di folgorazione in caso di collegamento a una rete non idonea.

Se la pompa è dotata di un motore monofase:

- Dotato di protettore termico incorporato. In queste pompe è sufficiente l'installazione con interruttore secondo lo schema "Collegamenti alla rete".
- Utilizzare un salvamotore con protezione magnetotermica.
- I dati di regolazione del relè termico sono meramente illustrativi, dato che nel motore è già integrato un interruttore di protezione.
- I Per 230 V utilizzare un tubo di collegamento di tipo H07 RN-F3 e adattare la sezione del cavo alla potenza del motore e alla lunghezza del cavo.

Se la pompa è dotata di un motore trifase:

- Utilizzare un salvamotore con protezione magnetotermico.
- È necessario proteggere la pompa dai sovraccarichi con un interruttore di sicurezza per il motore.
- Regolare correttamente il valore del termico, in base alla tabella dei protettori termici. Per il collegamento Δ (rete da 3 x 230 V.) è previsto il protettore con il valore massimo indicato. Per il collegamento Y (rete da 3 x 400 V.) è previsto il protettore con il valore minimo indicato.
- Collegare la tensione minima a Δ e la tensione più alta a Y per intervalli di tensione diversi da 230/400 V; 400/690 V.
- Per la corrente alternata, servirsi di un flessibile di collegamento tipo H07 RN-F3, nel quale la sezione del cavo si adatti alla potenza del motore e alla lunghezza del cavo.
- Per collegare il cavo alla rete è necessario rivolgersi a personale qualificato e autorizzato.


4. ISTRUZIONI DI MESSA IN SERVIZIO

ASPETTI PRELIMINARI ALLA MESSA IN SERVIZIO



- Accorgimenti preliminari alla prima messa in servizio:

1. Smontare il coperchio del prefiltro svitando il dado che lo mantiene in posizione (Fig. 5).
2. Riempire di acqua la pompa attraverso il prefiltro fino a quando l'acqua affiora dal condotto di aspirazione.

3. Nel caso in cui, durante queste operazioni, il cesto fosse fuoriuscito dal prefiltro, provvedere a reinstallarlo al fine di evitare l'ingresso di particelle grosse all'interno della pompa, che potrebbero causarne il blocco.
 4. Verificare che la tensione e la frequenza della rete corrispondano a quelle riportate nella targhetta delle caratteristiche della pompa.
- Collocare il coperchio del prefiltro e chiuderlo avvitando, senza dimenticarsi di collocare la guarnizione nella sua sede (Fig. 5).
 - In nessun caso le pompe possono funzionare senza aver prima riempito d'acqua il prefiltro dato che, in caso contrario, si può danneggiare la guarnizione meccanica provocando la perdita d'acqua attraverso di essa.
-  - Verificare che il senso di rotazione del motore sia quello corretto utilizzando il ventilatore situato nella parte posteriore dello stesso e osservandolo attraverso la spia del coperchio del ventilatore (Fig. 6).

MESSA IN SERVIZIO



- Aprire tutte le valvole e accendere il motore.
- Effettuare l'avvio automatico del processo autoadescente e verificare che si realizzi in tempi ragionevoli.

5. MANUTENZIONE

Ogni 100 ore di funzionamento a seconda del livello di pulizia dell'acqua, devono essere controllati i seguenti punti:



- Pulire regolarmente il cesto del prefiltro per evitare cali di pressione. Non colpirlo durante il processo per evitare una possibile rottura del cesto.
- Se la pompa si ferma, verificare che il consumo in ampère del motore acceso sia uguale o inferiore al valore indicato nella targhetta delle caratteristiche del fabbricante o, in caso di assenza della stessa, rivolgersi al servizio di assistenza tecnica più vicino.



- Svuotare la pompa nei casi in cui debba rimanere inattiva per un periodo prolungato, in particolare nei Paesi freddi dove sussiste il rischio di congelamento.
- Per effettuare lo svuotamento della pompa, estrarre il tappo di spurgo.
- Ogni volta che si apre il prefiltro, togliere le impurità dalla sede della guarnizione e dalla guarnizione stessa per assicurare che la chiusura del coperchio sia a tenuta stagna (Fig. 5).

- Per mantenere il buon rendimento della pompa, sostituirla periodicamente i componenti che, per l'uso normale, sono soggetti a usura e/o deterioramento. Nella seguente tabella si elencano gli articoli soggetti a usura e/o di consumo della pompa, nonché si indica l'intervallo di sostituzione consigliato:

DESCRIZIONE DEL COMPONENTE	INTERVALLO DI SOSTITUZIONE
Condensatore	10.000 ore
Cuscinetti	10.000 ore
Chiusura meccanica	10.000 ore
Giunti e altri elementi di tenuta ⁽¹⁾	10.000 ore

⁽¹⁾ L'apertura e la chiusura della pompa per la sostituzione di uno qualsiasi dei pezzi di ricambio interni non garantisce la successiva tenuta stagna. Per questo motivo, si consiglia di sostituire gli O-ring e gli elementi di tenuta ogni volta che si sostituiscono la tenuta meccanica e/o i cuscinetti.

Il periodo stimato di vita dei pezzi precedenti è stato stabilito in base alle normali condizioni d'uso e installazione del prodotto.

Seguire le istruzioni del manuale di installazione per mantenere il periodo di vita della pompa.

6. SMONTAGGIO



- È possibile smontare il gruppo del motore dal corpo della pompa senza necessità di scollegare le tubazioni di aspirazione e ritorno della pompa.

- Per smontare il gruppo del motore dal corpo della pompa, togliere le viti che li uniscono.

7. RISOLUZIONE DEI PROBLEMI

1. La pompa non si innesca
2. La portata della pompa è ridotta
3. La pompa fa rumore
4. La pompa non si avvia
5. Il motore fa rumore ma non si avvia
6. Arresto del motore

1	2	3	4	5	6	CAUSE	SOLUZIONI
●	●					Entrata di aria dalla tubazione di aspirazione	Verificare lo stato dei raccordi e delle guarnizioni del tubo di aspirazione
●						Tenuta insufficiente del coperchio del filtro	Pulire il coperchio del filtro e verificare lo stato della guarnizione di gomma
●	●					Rotazione invertita del motore	Invertire 2 fasi di alimentazione
●	●		●			Tensione erronea	Verificare il voltaggio della targhetta delle caratteristiche e quello della rete
●						Prefiltro intasato	Pulire il filtro
●						Perdite di carico nell'installazione	Evitare il più possibile che gli elementi generino perdite di carico
		●				Fissaggio non corretto della pompa	Fissare correttamente la pompa
				●		Motore bloccato	Smontare il motore e rivolgersi al servizio tecnico
					●	Aumento della temperatura nella morsettiera a causa di arco elettrico	Verificare i collegamenti della morsettiera
					●	Scatta il termointerruttore	Effettuare correttamente il collegamento dei cavi con i terminali della morsettiera
					●	Collegamenti della morsettiera non corretti	Stringere correttamente il cavo con il terminale / adeguare la misura del collegamento del cavo ai terminali della morsettiera

WICHTIGE SICHERHEIT, INSTALLATIONS- UND WARTUNGSINFORMATIONEN

Dieses Handbuch enthält wesentliche Informationen über die Sicherheitsvorkehrungen, die bei der Installation, die Wartung und Inbetriebnahme zu treffen sind. Daher ist es unbedingt erforderlich, dass sowohl der Installateur als auch der Benutzer vor Beginn der Montage und Inbetriebnahme diese Anweisungen lesen.

Dieses Handbuch kann als PDF von der folgenden Seite heruntergeladen werden:
www.astralpool.com



- Die in diesem Handbuch behandelten Maschinen sind speziell für die Vorfiltrung und die Umwälzung des Wassers in Schwimmbecken ausgelegt.

- Sie sind für den Betrieb mit sauberem Wasser bei Temperaturen von max. 35°C ausgelegt.



- Montagearbeiten, Elektroinstallation und Wartungsarbeiten müssen von zugelassenen Fachkräften ausgeführt werden, die vorher die Installations- und Betriebsanleitungen aufmerksam gelesen haben.

- Dieses Gerät ist nicht für die Benutzung durch Personen (einschließlich Kindern) mit eingeschränkten körperlichen, sensorischen oder geistigen Fähigkeiten, oder mit Mangel an Erfahrung und Wissen bestimmt, es sei denn, sie erhalten Beaufsichtigung oder Anleitung hinsichtlich der Benutzung des Geräts durch eine für ihre Sicherheit verantwortliche Person. Kinder müssen beaufsichtigt werden um sicherzustellen, dass sie nicht mit dem Gerät spielen.

- Dieses Gerät kann von Kindern im Alter von mindestens 8 Jahren und Personen mit eingeschränkten körperlichen, sensorischen oder geistigen Fähigkeiten oder Mangel an Erfahrung und Wissen benutzt werden, wenn sie dabei beaufsichtigt werden oder eine Anleitung hinsichtlich der sicheren Benutzung des Geräts erhalten und die damit verbundenen Gefahren verstanden haben. Kinder dürfen nicht mit dem Gerät spielen. Reinigung und Benutzerwartung darf nicht von Kindern ohne Beaufsichtigung ausgeführt werden.






- Unsere Pumpen dürfen nur in Schwimmbädern installiert werden, die den Normen IEC/HD 60364-7-702 und den nationalen Vorschriften entsprechen. Wenden Sie sich im Zweifel an Ihren Händler.

- Die Installation muss der Norm IEC/HD 60364-7-702 und den nationalen Vorschriften für Schwimmbäder entsprechen.

- Die Pumpe darf nicht in Zone 0 und Zone 1 installiert werden. Zeichnungen finden Sie auf Seite: 87.
- Vor ihrer Nutzung muss die Pumpe an einer Halterung oder an einem bestimmten Standort befestigt werden.
- Siehe maximaler Gesamtdruck in Metern auf Seite 100.
- Für eine Stelle, an der mit Überschwemmungen zu rechnen ist, wird die Installation einer Bodenablauf mit angemessenem Auslass für die Flüssigkeit empfohlen.
- Falls eine selbstansaugende Pumpe über dem Wasserniveau zu installieren ist, darf der Druckunterschied zur Absaugung der Pumpe nicht mehr als 0,02 MPa (2 mH₂O) betragen, damit der Ansaugvorgang so kurz wie möglich gehalten wird. Eine längere Rohrleitung erhöht die Ansaugzeit und den Ladeverlust der Anlage.
- Beachten Sie den maximalen Gesamtdruck, in Metern, auf der Rückseite der jeweiligen Betriebsanleitung für jede Pumpenbaureihe.
- Das Gerät muss an einen Wechselstromanschluss mit Erdung angeschlossen werden (siehe Daten auf der Plakette mit den Eigenschaften der Pumpe). Dieser muss durch ein Differential (RCD) mit höchstens 30 mA gesichert sein.
- Beachten Sie den maximalen Gesamtdruck, in Metern, auf der Rückseite der jeweiligen Betriebsanleitung für jede Pumpenbaureihe.

1. ALLGEMEINE SICHERHEITSVORSCHRIFTEN

Diese Symbole (  ) weisen auf eventuelle Gefahren infolge der Nichtbeachtung der entsprechenden Vorschriften hin.



GEFAHR. Stromschlagrisiko.

Die Nichtbeachtung dieser Bestimmung birgt ein Stromschlagrisiko.



GEFAHR.

Die Nichtbeachtung dieser Bestimmung birgt ein Risiko von Personen- oder Sachschäden.

ACHTUNG.



Die Nichtbeachtung dieser Bestimmung birgt ein Risiko von Schäden an der Pumpe oder der Anlage.

2. ALLGEMEINE SICHERHEITSBESTIMMUNGEN

ALLGEMEINES



- Installation gemäß den besonderen Bedingungen jedes Einsatzortes realisieren.
- Gültige Vorschriften zur Unfallverhütung einhalten.
- Vor jeder Änderung an der Pumpe muss die Genehmigung des Herstellers eingeholt werden. Die Original-Ersatzteile und das vom Hersteller zugelassene Zubehör gewährleisten einen hohen Sicherheitsgrad. Der Hersteller der Pumpe lehnt jede Haftung für Schäden aufgrund des Einsatzes von nicht zugelassenen Ersatz- oder Zubehörteilen ab.



- Bei Arbeiten an der Maschine oder daran angeschlossenen Baugruppen müssen sie vorher vom Netz und den Inbetriebnahmevorrichtungen getrennt werden, da während des Betriebs die elektrischen Teile der Pumpe unter Spannung stehen.



- Installations- und Betriebsanweisungen einhalten, um die Betriebssicherheit der Maschine zu gewährleisten.
- Bei Betriebsstörungen oder Defekten wenden Sie sich an den Lieferanten oder die nächstgelegene Vertretung.

WARNHINWEISE FÜR DIE INSTALLATIONS- UND MONTAGEARBEITEN

- Nach dem Auspacken der Pumpe darf diese nur an der Ansaugöffnung und am Motorgehäuse, und dabei ausschließlich an beiden dieser Punkte gleichzeitig angehoben werden.



- Nur in Fällen, in denen ein Eingriff am Klemmkasten des Motors erforderlich ist, muss beim Anschluss der elektrischen Kabel an das Gerät auf die Anordnung im Inneren des Klemmkastens geachtet werden. Prüfen Sie, dass nach dem Verschluss keine Kabelstücke im Inneren geblieben sind und dass der Erdleiter richtig angeschlossen ist.

- Nur in Fällen, in denen ein Eingriff am Klemmkasten des Motors erforderlich ist, muss beim Anschluss der elektrischen Kabel an den Klemmkasten des Geräts darauf geachtet werden, dass sie gut sitzen und fest an den Anschlüssen festgezogen werden.

- Dichtung des Klemmenkastens des Elektromotors richtig einsetzen, um den Eintritt von Wasser zu verhindern. Ebenso sicherstellen, dass die Stopfbüchse in der Kabeldurchführung des Klemmenkastens eingesetzt und angezogen wurde.



- Insbesondere darauf achten, dass unter keinen Umständen Wasser in den Motor und die spannungsführenden Teile eindringen kann.
- Bei anderweitiger Verwendung als angegeben sind Umbauten und ergänzende technische Vorschriften erforderlich.

WARNHINWEISE FÜR DIE INBETRIEBNAHME



- Vor der Inbetriebnahme der Maschine die Auslegung der elektrischen Absicherungen des Motors und die korrekte Position und Befestigung der Schutzvorrichtungen gegen elektrische und mechanische Berührungen prüfen.

WARNHINWEISE FÜR DIE MONTAGE- UND WARTUNGSARBEITEN



- Für die Montage und Installation der Pumpen sind die länderspezifischen Montage- und Installationsvorschriften zu beachten.



- Insbesondere darauf achten, dass unter keinen Umständen Wasser in den Motor und die spannungsführenden Teile eindringen kann.



- Unter keinen Umständen - auch nicht unbeabsichtigt - die beweglichen Teile der Maschine während des Betriebs bzw. vor ihrem völligen Stillstand berühren.



- Vor Arbeiten an der Maschine abwarten, bis sie vollkommen zum Stillstand gekommen ist.



- Vor elektrischen oder mechanischen Wartungsarbeiten Maschine vom Netz trennen und Einschaltvorrichtungen blockieren.

- Vor Arbeiten an der Maschine sind nachstehende Schritte zu befolgen

1. Die Maschine spannungslos machen.

2. Die Einschaltvorrichtungen blockieren.



3. Sicherstellen, dass an den Stromkreisen - auch an den Neben- und Zubehör-Stromkreisen - keine Spannung anliegt.



4. Warten, bis das Laufrad vollkommen zum Stillstand gekommen ist.

Die obige Liste versteht sich orientativ; sie ist möglicherweise nicht vollständig, da zusätzliche Anforderungen der Landesgesetze hinsichtlich der Sicherheit vorliegen können.



- Regelmäßig kontrollieren:

- die korrekte Befestigung der mechanischen Teile und den Zustand der Befestigungsschrauben der Maschine.

- die korrekte Position, Befestigung und den Zustand der Netzkabel und Isolierungen.

- die Temperatur der Maschine und des Elektromotors. Bei Störungen die Maschine sofort ausschalten und den technischen Kundenservice in Ihrer Nähe kontaktieren.

- Vibrationen an der Maschine. Bei Störungen die Maschine sofort ausschalten und den technischen Kundenservice in Ihrer Nähe kontaktieren.



- Die Installations-, Bedienungs- und Wartungsanleitungen dieses Handbuchs können aufgrund der Komplexität nicht alle möglichen und vorstellbaren Betriebs- und Wartungsfälle behandeln. Wenn Sie zusätzliche Anweisungen benötigen oder spezifische Probleme auftreten, kontaktieren Sie bitte den technischen Kundenservice in Ihrer Nähe.

3. INSTALLATION UND MONTAGE

ALLGEMEINES



- Aufgrund des Vorfilters ist die Pumpe horizontal zu montieren. Die Pumpen besitzen einen Vorfilter mit einem eingebauten Korb, der größere Partikel herausfiltert, da diese die wasserführenden Teile der Pumpe beschädigen können.

- Alle Pumpen sind mit einem Ständer mit Bohrungen zur Bodenverankerung ausgestattet (Abb. 1).

ROHRLEITUNGEN



- Der Anschluss der Rohrleitungen muss durch Verklebung mit den mitgelieferten Anschlüssen erfolgen; der Anschluss an den Saug- und Druckstutzen der Pumpe besteht aus Schraubverbindungen mit Dichtungen zur Vermeidung von Lecks an diesen Anschlüssen (Abb. 2).

- Die Installation der druckseitigen Rohrleitungen absolut senkrecht und genau mittig zum Stutzen realisieren, damit Pumpe und Rohrleitung keinen externen Beanspruchungen ausgesetzt werden, die nicht nur die Montage erschweren, sondern auch zum Bruch führen könnten (Abb. 2).

- Die saugseitigen Rohrleitungen zur Vermeidung von Luftblasenbildung leicht fallend (2%) zur Pumpe verlegen (Abb. 2).

- Damit die Pumpe korrekt funktioniert, muss der Vorfilter entlüftet werden, bis Wasser an der Saugleitung ausläuft (Abb. 3).

AUFSTELLUNGORT



- Zur Verbesserung der Leistung die Pumpe unterhalb des Wasserspiegels des Schwimmbeckens bzw. Teichs montieren.



- Sicherstellen, dass die Pumpe vor etwaigen Überflutungen geschützt ist und eine trockene Belüftung erhält.

ELEKTROINSTALLATION



- Es muss unbedingt ein Allpolschalter mit einem Mindestabstand von 3 mm zwischen den Kontakten verwendet werden, um das Gerät von der Stromversorgung trennen zu können.

- Zum Netzanschluss ein Massivleiterkabel verwenden. Sollte ein Litzenkabel für den Netzanschluss verwendet werden, muss es mit Kabelschuhen zum Anschluss an die Klemmen des Pumpenmotors versehen werden.

- Den Wert des Restspannungsschalters entsprechend der Pumpenintensität anpassen.

- Vor dem Anschluss des Motors den erforderlichen Sicherungstyp ermitteln.

- Die korrekte Anordnung und Verbindung des Erdungskabels bei der Installation des Geräts überprüfen.
- Elektrische Installations- und Anschlussbedingungen einhalten, da sonst der Pumpenhersteller jegliche Haftung ablehnt und die Gewährleistung als wirkungslos betrachtet.
- Es können spezifische Installationsvorschriften vorhanden sein.
- Bei falschem Netzanschluss besteht ein Stromschlagrisiko.

Bei Pumpen mit Einphasenmotor:

- Überhitzungsschutz ist eingebaut.
- Motorschutzschalter mit thermisch-magnetischer Auslösung verwenden.
- Die Einstellungsdaten des Thermorelais dienen nur zur Information, da im Motor ein Schutz eingebaut ist.
- Bei 230 V ein Anschlusskabel Typ H07 RN-F3 mit einem der Motorleistung und der Kabellänge entsprechenden Leiterquerschnitt verwenden.

Bei Pumpen mit Dreiphasenmotor:

- Motorschutzschalter mit thermisch-magnetischer Auslösung verwenden.
- Pumpe mit Motor-Sicherheitsschalter gegen Überlastung schützen.
- Den Wert des Thermorelais korrekt gemäß der Tabelle der thermischen Absicherung einstellen. Für den Δ -Anschluss (Netz 3 x 230 V) ist der Schutz mit dem höheren Wert maßgebend. Für den Y-Anschluss (Netz 3 x 400 V) ist der Schutz mit dem niedrigeren Wert maßgebend.
- Bei anderen Spannungen als 230/400V niedrigere Spannung in Δ und höhere Spannung in Y anschließen; 400/690V.
- Bei Wechselstrom ein Anschlusskabel Typ H07 RN-F3 mit einem der Motorleistung und der Kabellänge entsprechenden Leiterquerschnitt verwenden.
- Das Netzkabel darf nur von zugelassenen Fachkräften angeschlossen werden.


4. ANLEITUNGEN ZUR INBETRIEBNAHME

VOR DER INBETRIEBNAHME



- Maßnahmen vor der ersten Inbetriebnahme:

1. Den Deckel des Vorfilters abnehmen. Hierzu die Befestigungsmutter abschrauben (Abb. 5).
2. Die Pumpe durch den Vorfilter mit Wasser füllen, bis es durch die Saugleitung ausläuft.

3. Wenn dabei der Korb entnommen wurde, wieder im Vorfilter einsetzen, damit keine größeren Partikel in die Pumpe gelangen und diese blockieren.
 4. Prüfen, dass die Spannung und Frequenz des Netzes dem Typenschild der Pumpe entsprechen.
- Den Deckel des Vorfilters montieren und festschrauben. Dabei nicht vergessen, die Dichtung einzusetzen (Abb. 5).
 - Die Pumpen dürfen unter keinen Umständen laufen, ohne dass der Vorfilter mit Wasser gefüllt ist. Sonst wird die mechanische Dichtung beschädigt und undicht.
-  - Die korrekten Motorlaufrichtung anhand des Sichtfensters am Ventilatordeckel an der Rückseite des Motors überprüfen (Abb. 6).

INBETRIEBNAHME



- Alle Ventile öffnen und den Motor anschließen.
- Automatische Entlüftung der Rohrleitungen vornehmen. Hierfür angemessen lange warten.

5. WARTUNG

Alle 100 Betriebsstunden müssen je nach Sauberkeitsgrad des Wassers folgende Punkte geprüft werden:



- Den Korb des Vorfilters regelmäßig reinigen, um Druckabfälle zu vermeiden. Korb beim Reinigen nicht ausklopfen, da er brechen könnte.
- Wenn die Pumpe stehen bleibt, prüfen, ob die Stromaufnahme des Motors in Ampere dem Typenschild des Herstellers entspricht. Andernfalls den nächsten Kundendienst verständigen.



- Die Pumpe leeren, wenn sie längere Zeit nicht in Betrieb genommen wird (insbesondere in kalten Ländern mit Frostgefahr).
- Zum Entleeren der Pumpe die Ablassschraube öffnen.
- Bei jedem Öffnen des Vorfilters Verunreinigungen am Dichtungssitz und der Dichtung entfernen, um die Dichtigkeit des Deckelverschlusses zu gewährleisten (Abb. 5).
- Die Bauteile der Pumpe mit normalem Verschleiß bzw. Abnutzung müssen regelmäßig ersetzt werden, damit die Leistungsfähigkeit der Pumpe nicht beeinträchtigt wird. In der folgenden Tabelle sind die fungiblen und / oder Verbrauchsteile der Pumpe und der Zeitraum aufgeführt, in dem sie ausgetauscht werden müssen.

BAUTEILBESCHREIBUNG	ERSETZEN NACH
Kondensator	10.000 Std
Lager	10.000 Std
Mechanischer Verschluss	10.000 Std
Fugen und andere Dichtungselemente ⁽¹⁾	10.000 Std

⁽¹⁾ Das Öffnen und Schließen der Pumpe für den Austausch von inerten Ersatzteilen garantiert keine anschließende Dichtigkeit. Aus diesem Grund wird empfohlen, die O-Ringe und Dichtungselemente zu ersetzen, wenn die Gleitringdichtung und / oder Lager ausgetauscht werden.

Die geschätzte Lebensdauer obiger Bauteile entspricht normalen Nutzungs- und Installationsbedingungen des Produkts.

Zur Verlängerung der Lebensdauer der Pumpe die Anweisungen des Installationshandbuchs befolgen.

6. DEMONTAGE



- Die Motor-Baugruppe kann vom Pumpengehäuse abgebaut werden, ohne die Saug- und Druckleitung der Pumpe abzutrennen.
- Zum Abnehmen der Motor-Baugruppe vom Pumpengehäuse die Verbindungsschrauben lösen.

7. STÖRUNGSTABELLE

- | | |
|-----------------------------------|--|
| 1. Die Pumpe entlüftet sich nicht | 4. Die Pumpe läuft nicht an |
| 2. Die Pumpe fördert wenig Wasser | 5. Der Motor macht Geräusche, er läuft aber nicht an |
| 3. Die Pumpe verursacht Geräusche | 6. Der Motor bleibt stehen |

1	2	3	4	5	6	URSACHEN	LÖSUNGEN
●	●					Luft Eintritt über die Saugleitung	Zustand der Anschlüsse und Dichtungen der Saugleitung prüfen
●						Mangelnde Dichtigkeit des Filterdeckels	Den Filterdeckel reinigen und den Zustand der Gummidichtung prüfen
●	●					Falsche Laufrichtung des Motors	2 Pole der Netzversorgung vertauschen
●	●		●			Falsche Spannung	Spannungsangaben von Typenschild und Netz prüfen
	●					Der Vorfilter ist verstopft	Den Filter reinigen
	●					Lastverlust in der Installation	Möglichst verhindern, dass die Elemente Lastverlust verursachen
		●				Unsachgemäße Befestigung der Pumpe	Die Pumpe korrekt befestigen
				●		Der Motor blockiert	Den Motor ausbauen und zum Kundendienst bringen
					●	Temperaturanstieg im Klemmenkasten aufgrund eines Spannungsbogens	Die Anschlüsse im Klemmenkasten prüfen
					●	Der Überhitzungsschutz wird ausgelöst	Die Anschlüsse der Kabel an die Klemmen im Klemmenkasten fachgerecht vornehmen
					●	Die Anschlüsse im Klemmenkasten sind mangelhaft	Das Kabel mit der Klemme fest anziehen / Die Größe der Kabelverbindung an die Klemmen des Klemmenkastens anpassen

INFORMAÇÃO IMPORTANTE DE SEGURANÇA, INSTALAÇÃO E MANUTENÇÃO

O manual fornecido contém informação fundamental sobre as medidas de segurança a adotar durante as fases de instalação, manutenção e colocação em funcionamento. Por isso, é imprescindível que tanto o instalador como o utilizador leiam as instruções antes de realizar as operações de montagem e colocação em funcionamento.

O manual pode ser descarregado em pdf no seguinte site: www.astralpool.com



- As máquinas apresentadas neste Manual foram especialmente concebidas para obter a pré-filtragem e a recirculação da água nas piscinas.

- Foram concebidas para trabalhar com águas limpas e com temperaturas não superiores a 35 °C.



- O utilizador deve certificar-se de que os trabalhos de montagem, instalação eléctrica e manutenção são realizados por pessoas autorizadas e qualificadas, e que estas pessoas conhecem pormenorizadamente as instruções de instalação e serviço.

- Este aparelho não se destina a ser utilizado por pessoas (incluindo crianças) com capacidades físicas, sensoriais e mentais reduzidas, ou com falta de experiência e conhecimento, a menos que recebam supervisão ou instruções sobre a utilização do aparelho por alguém responsável pela sua segurança. As crianças devem ser supervisionadas de modo a garantir que não brincam com o aparelho

- Este aparelho pode ser utilizado por crianças com idade igual ou superior a 8 anos e por pessoas com capacidades físicas, sensoriais e mentais reduzidas, ou com falta de experiência e conhecimento, caso recebam supervisão ou instruções sobre a utilização do aparelho de forma segura e compreendam os riscos envolvidos. As crianças não deverão brincar com o aparelho. A limpeza e a manutenção não deverão ser levadas a cabo por crianças sem supervisão.



- As nossas bombas só podem ser montadas e instaladas em piscinas que cumpram as normas IEC / HD 60364-7-702 e a regulamentação nacional exigida. Em caso de dúvidas, contacte com o seu fornecedor.

- A instalação deverá respeitar a norma IEC / HD 60364-7-702 e a regulamentação nacional relativa a piscinas.

- A bomba não pode ser instalada na Zona 0 nem na Zona 1. Para ver os desenhos, consultar a página 87.
- A bomba foi concebida para ser utilizada estando fixa a um suporte ou imobilizada num lugar específico.
- Consultar a pressão máxima total da coluna de água, em metros, na página 100.
- Dado o risco de inundação nesta zona, recomenda-se a instalação de um escoadouro.
- No caso de ter de instalar uma bomba autoaspirante acima do nível da água, o diferencial de pressão para a aspiração da bomba não deve ser superior a 0,02 MPa (2 mH₂O), procurando que a conduta de aspiração seja o mais curta possível dado que uma tubagem mais comprida aumenta o tempo de aspiração e as perdas de carga da instalação.
- O aparelho deve ser ligado a uma tomada elétrica (ver dados na placa de características da bomba) com ligação à terra, protegida com um interruptor diferencial (RCD) com uma corrente de funcionamento residual que não exceda os 30 mA.
- Consulte a pressão manométrica, em metros, no verso do manual específico para cada gama de bombas.

1. INDICAÇÕES GERAIS DE SEGURANÇA

Esta simbologia (  ) indica a possibilidade de perigo em consequência do desrespeito das indicações correspondentes.



PERIGO. Risco de eletrocussão.

A não advertência para este perigo representa um risco de eletrocussão.



PERIGO.

A não advertência para este perigo representa um risco de danos em pessoas ou bens.



ATENÇÃO.

A não advertência para este perigo representa um risco de danos na bomba ou na instalação.

2. NORMAS GERAIS DE SEGURANÇA

ASPETOS GERAIS



- Efetuar a instalação com base nas indicações específicas de cada aplicação.

- Respeitar as normas vigentes para a prevenção de acidentes.

- Para qualquer alteração na bomba é necessária a autorização prévia do fabricante. As peças sobresselentes originais e os acessórios autorizados pelo fabricante servem para garantir maior segurança. O fabricante da bomba fica isento de qualquer responsabilidade por danos causados pela utilização de peças sobresselentes ou acessórios não autorizados.



- Ao efetuar trabalhos em cada máquina ou nos equipamentos a esta ligados, é necessário desligar o equipamento da fonte de alimentação e os dispositivos de arranque, uma vez que durante o funcionamento as peças elétricas da bomba estão sob tensão.



- Cumprir todas as instruções de instalação e serviço para garantir o funcionamento seguro da máquina.

- Em caso de funcionamento defeituoso ou avaria, dirija-se ao seu fornecedor ou ao representante oficial mais próximo.

ADVERTÊNCIAS PARA OS TRABALHOS DE INSTALAÇÃO E MONTAGEM



- Apenas para casos que exijam intervir na caixa de terminais do motor durante a ligação dos cabos elétricos ao motor da máquina: prestar atenção à disposição no interior da caixa de junção, verificar que não ficam pedaços de fios no interior após o fecho e que o condutor de terra está corretamente ligado.

- Apenas para casos que exijam intervir na caixa de terminais do motor: assegurar as ligações dos cabos elétricos à caixa de terminais da máquina de maneira a que fiquem bem encastradas e apertadas aos terminais de ligação.

- Utilizar corretamente a junta da caixa de terminais do motor elétrico para evitar a entrada de água. Do mesmo modo, colocar e apertar a estopa no interior do passador de cabos da caixa de terminais.



- É necessário ter atenção para que, de forma alguma, entre água no motor e nas partes elétricas em tensão.

- Caso a utilização prevista não seja a indicada, poderá ser necessário aplicar medidas e normas técnicas suplementares.

ADVERTÊNCIAS PARA A COLOCAÇÃO EM FUNCIONAMENTO



- Antes de colocar a máquina em funcionamento é necessário verificar a calibração dos dispositivos de proteção elétricos do motor e verificar se as proteções contra contactos elétricos e mecânicos estão corretamente posicionadas e fixadas.

ADVERTÊNCIAS PARA OS TRABALHOS DE MONTAGEM E MANUTENÇÃO



- Para a montagem e instalação das bombas é necessário ter em atenção as normas de instalação nacionais.



- É necessário ter atenção para que, de forma alguma, entre água no motor e nas partes elétricas em tensão.



- Evitar a qualquer momento o contacto, mesmo que accidental, com as peças móveis da máquina durante o funcionamento da mesma e/ou antes da sua paragem total.



- Esperar que a máquina pare completamente antes de efetuar qualquer intervenção.



- Desligar a máquina da fonte de alimentação e bloquear os dispositivos de colocação em funcionamento, antes de proceder a qualquer intervenção de manutenção elétrica ou mecânica.

- É aconselhável adotar as seguintes medidas antes de efetuar qualquer intervenção na máquina:



1. Desligar a tensão da máquina.

2. Bloquear os dispositivos de colocação em funcionamento.



3. Verificar que não existe tensão nos circuitos, mesmo nos auxiliares, e nos serviços suplementares.

4. Esperar até que o rotor pare completamente.

Considerar a lista anterior como meramente indicativa, visto que pode não estar completa devido ao facto de poderem existir requisitos adicionais à lei nacional para efeitos de segurança.



- Verificar periodicamente:

- A correta fixação das peças mecânicas e o estado dos parafusos de suporte da máquina.

- A correta posição, a fixação e o estado dos condutores de alimentação e das peças isolantes.

- A temperatura da máquina e do motor elétrico. Em caso de anomalia, parar imediatamente a máquina e contactar o Serviço de Assistência Técnica mais próximo.

- As vibrações da máquina. Em caso de anomalia, parar imediatamente a máquina e contactar o Serviço de Assistência Técnica mais próximo.



- As instruções de instalação, utilização e manutenção incluídas neste manual, devido à complexidade dos casos tratados, não pretendem examinar todos os casos possíveis e imagináveis de serviço e manutenção. Caso sejam necessárias instruções suplementares ou caso surjam problemas específicos, não hesite em contactar o Serviço de Assistência Técnica mais próximo.

3. INSTALAÇÃO E MONTAGEM

GERAL



- Realizar a montagem da bomba na posição horizontal devido ao pré-filtro. As bombas utilizam um pré-filtro com um cesto no seu interior para recolher as partículas grossas, dado que estas partículas podem danificar a parte interior hidráulica da bomba.
- Todas as bombas estão equipadas com uma base com orifícios para poderem ser instaladas no solo através de uma fixação (Fig. 1).

TUBAGENS



- Para realizar a ligação da tubagem, encaixar a tubagem nas uniões, fornecida juntamente com a bomba; as uniões às bocas de aspiração e impulsão da bomba são de rosca e utilizam juntas de estanquidade para evitar a perda de água (Fig. 2).
- Realizar a instalação da tubagem de impulsão de forma perpendicular e bem centrada em relação à entrada onde vai ser ligada para evitar que a bomba e a tubagem sejam submetidas a esforços externos que, para além de dificultarem a montagem, poderiam levar à rutura destas (Fig. 2).
- Instalar a tubagem de aspiração com uma ligeira inclinação para a bomba, na ordem dos 2%, evitando a criação de bolsas de ar (Fig. 2).
- Para o correto funcionamento da bomba é necessário efetuar o enchimento do pré-filtro da bomba até que a água chegue à conduta de aspiração (Fig. 3).

COLOCAÇÃO



- Para melhorar o rendimento das bombas aconselha-se a montagem numa posição abaixo do nível da água da piscina ou do tanque.



- A bomba deve ser colocada num local onde não esteja sujeita a possíveis inundações e possa receber ventilação de ar seco.

INSTALAÇÃO ELÉTRICA



- É imprescindível utilizar um dispositivo de desconexão múltiplo com uma separação mínima de 3 mm entre contactos para desligar o aparelho da alimentação elétrica.
- Utilizar um cabo rígido como ligação à rede elétrica. No caso de utilizar um cabo flexível para a ligação à rede elétrica, este deve dispor de terminais para a respetiva ligação aos terminais do motor da bomba.
- Ajustar convenientemente o valor do disjuntor de corrente residual segundo a intensidade da bomba.
- Antes de ligar o motor, verificar o tipo de fusível necessário.
- Verificar a correta disposição e ligação do cabo de terra na instalação do equipamento.
- Respeitar as condições de instalação e as ligações elétricas, caso contrário, o fabricante da bomba declina qualquer responsabilidade e anula a garantia.
- Podem existir regulamentos especiais para a instalação.
- Existe perigo de eletrocussão, caso a ligação à rede elétrica não seja efetuada de forma adequada.

Caso a bomba tenha um motor monofásico:

- Possui um protector térmico.
- Utilizar uma protecção de motor com protecção magneto-térmica.
- Os dados de regulação do relé térmico são meramente ilustrativos, já que o motor utiliza um disjuntor incorporado.
- Para 230 V deve ser utilizada uma mangueira de ligação do tipo H07 RN-F3 e adaptar a secção de cabo à potência do motor e ao comprimento do cabo.

Caso a bomba utilize um motor trifásico:

- Utilizar uma protecção de motor com protecção magneto-térmica.
- Proteger a bomba para eventuais sobrecargas com um interruptor de segurança para o motor.
- Ajustar convenientemente o valor térmico, segundo o tabela de protectores térmicos. Para a ligação Δ (Rede de 3 x 230 V.) corresponde a protector da maior valor indicado. Para a ligação Y (Rede de 3 x 400 V.) corresponde a protector de menor valor.
- Fazer a ligação da tensão mais baixa em Δ e a tensão mais alta em Y para intervalos de tensão diferentes de 230/400V;400/690V.
- Para a corrente alternada utilizar uma mangueira de ligação do tipo H07 RN-F3 com uma secção do cabo adaptada à potência do motor e ao comprimento do cabo.
- Para fazer a ligação do cabo de alimentação, este só pode ser ligado por pessoal qualificado e autorizado (tipo de ligação).

4. INSTRUÇÕES DE COLOCAÇÃO EM FUNCIONAMENTO

OPERAÇÕES PRÉVIAS À COLOCAÇÃO EM FUNCIONAMENTO



- Medidas necessárias antes da primeira colocação em funcionamento:

1. Desmontar a tampa do pré-filtro desenroscando a porca de fixação (Fig. 5).
 2. Encher a bomba com água pelo pré-filtro até chegar à conduta de aspiração.
 3. Caso o cesto tenha sido retirado durante estas operações, é necessário voltar a colocá-lo no interior do pré-filtro para impedir a entrada de partículas grossas no interior da bomba, que poderiam acabar por bloquear a bomba.
 4. Verificar que a tensão e frequência da rede elétrica correspondem aos valores indicados na placa de características da bomba.
- Colocar a tampa do pré-filtro e enroscar para fechar, sem esquecer de colocar a junta na respetiva posição (Fig. 5).
- As bombas não podem ser colocadas em funcionamento sem que o pré-filtro tenha sido previamente enchido com água; caso contrário, pode danificar a junta mecânica provocando fugas de água.



- Comprovar que o sentido de rotação do motor é o correcto, utilizando o ventilador situado na parte traseira do motor, que pode ser observado através do óculo na tampa do ventilador (Fig. 6).

COLOCAÇÃO EM FUNCIONAMENTO



- Abrir todas as válvulas e ligar o motor.
- Efetuar o autoenchimento da tubagem e aguardar que seja efetuado num período razoável.

5. MANUTENÇÃO

A cada 100 horas de funcionamento, consoante o nível de limpeza da água, devem-se avaliar os seguintes pontos:



- Limpar o cesto do pré-filtro regularmente para evitar quedas de pressão. Para evitar uma possível rutura do cesto, não é aconselhável bater no cesto durante as operações de limpeza.
- Caso a bomba pare, verificar se o consumo de amperes do motor em funcionamento é igual ou inferior ao indicado na placa de características do fabricante, ou em caso de anomalia dirigir-se ao Serviço de Assistência Técnica mais próximo.



- Esvaziar a bomba sempre que for necessário deixar o equipamento algum tempo sem funcionar, principalmente em países frios onde possa existir o perigo de congelação.
- Para esvaziar a bomba, extrair o tampão de purga.
- Sempre que o pré-filtro for aberto, limpar as impurezas do alojamento da junta e da própria junta para garantir a estanquidade no fecho da tampa (Fig. 5).
- Os componentes da bomba que, devido à sua utilização habitual, sofram desgaste e/ou deterioração devem ser substituídos periodicamente para manter o bom rendimento da bomba. A tabela a seguir lista os componentes fungíveis e/ou consumíveis da bomba e o período de tempo após o qual devem ser substituídos.

DESCRIÇÃO DO COMPONENTE	INTERVALO DE TEMPO ENTRE SUBSTITUIÇÕES
Capacitor	10 000 h
Rolamentos	10 000 h
Fecho mecânico	10 000 h
Juntas e outros elementos de estanquidade ⁽¹⁾	10 000 h

⁽¹⁾ A abertura e o fecho da bomba para a substituição de qualquer uma das peças sobresselentes internas não garante a estanquidade posterior. Por esse motivo, recomenda-se substituir as juntas tóricas e os elementos de estanquidade sempre que a junta mecânica e/ou os rolamentos forem substituídos.

O período de vida útil estimado das peças anteriores foi estabelecido tendo em conta condições normais de utilização e instalação do produto.

Seguir as instruções do manual de instalação para manter o período de vida útil da bomba.

6. DESMONTAGEM



- O conjunto do motor pode ser desmontado do corpo da bomba, sem necessidade de desligar as tubagens de aspiração e impulsão da bomba.
- Para desmontar o Conjunto do motor do corpo da bomba, retirar os parafusos que os unem.

7. TABELA DE AVARIAS

- | | |
|-----------------------------------|--|
| 1. A bomba não enche | 4. A bomba não arranca |
| 2. A bomba apresenta pouco caudal | 5. O motor faz barulho mas não arranca |
| 3. A bomba faz ruído | 6. Paragem do motor |

1	2	3	4	5	6	CAUSAS	SOLUÇÕES
●	●					Entrada de ar pela tubagem de aspiração	Verificar o estado das uniões e das juntas do tubo de aspiração
●						Estanquidade deficiente da tampa do filtro	Limpar a tampa do filtro e verificar o estado da junta de borracha
●	●					Rotação do motor invertida	Inverter 2 fases da alimentação
●	●		●			Tensão incorreta	Verificar a tensão da placa de características e a da rede elétrica
	●					Pré-filtro obstruído	Limpar o filtro
	●					Perdas de carga na instalação	Evitar ao máximo que os elementos produzam perdas de carga
		●				Fixação incorreta da bomba	Fixar corretamente a bomba
				●		Motor bloqueado	Desmontar o motor e consultar o serviço técnico
					●	Aumento da temperatura na caixa de terminais por ação do arco voltaico	Verificar as ligações da caixa de terminais
					●	O protetor térmico dispara	Realizar corretamente a ligação dos cabos aos terminais das caixas de terminais
					●	Ligações da caixa de terminais mal efetuadas	Apertar corretamente o cabo no terminal / Adaptar o tamanho da ligação do cabo aos terminais da caixa de terminais

ΗΜΑΝΤΙΚΕΣ ΠΛΗΡΟΦΟΡΙΕΣ ΑΣΦΑΛΕΙΑΣ, ΕΓΚΑΤΑΣΤΑΣΗΣ ΚΑΙ ΣΥΝΤΗΡΗΣΗΣ

Το εγχειρίδιο αυτό περιέχει βασικές πληροφορίες σχετικά με τα μέτρα ασφαλείας που εφαρμόζονται για την εγκατάσταση, τη συντήρηση και τη θέση σε λειτουργία. Για τον λόγο αυτό, ο τεχνικός εγκατάστασης και ο χρήστης πρέπει να διαβάσουν τις οδηγίες πριν ξεκινήσουν οποιαδήποτε εργασία εγκατάστασης ή λειτουργίας.

Μπορείτε να κατεβάσετε το εγχειρίδιο σε pdf στην ιστοσελίδα: www.astralpool.com



- Οι μονάδες που αναφέρονται σε αυτό το εγχειρίδιο είναι ειδικά σχεδιασμένες για το προφιλτράρισμα και επανακυκλοφορία νερού σε πισίνες.

- Είναι σχεδιασμένες για λειτουργία με καθαρό νερό μέγιστης θερμοκρασίας 35°C.



- Όλες οι εργασίες συναρμολόγησης και συντήρησης πρέπει να εκτελούνται από εξειδικευμένα και εξουσιοδοτημένα άτομα, τα οποία έχουν διαβάσει προσεκτικά όλες τις οδηγίες εγκατάστασης και συντήρησης.

- Η συσκευή αυτή δεν προορίζεται για χρήση από άτομα (συμπεριλαμβανομένων των παιδιών) με μειωμένες σωματικές, αισθητηριακές ή νοητικές ικανότητες, ή έλλειψη εμπειρίας και γνώσης, παρά μόνο αν επιβλέπονται ή τους έχουν δοθεί οδηγίες σχετικά με τη χρήση της συσκευής από ένα άτομο αρμόδιο για την ασφάλειά τους. Τα παιδιά θα πρέπει να επιβλέπονται, για να διασφαλιστεί ότι δεν θα παίξουν με τη συσκευή.

- Η συσκευή μπορεί να χρησιμοποιηθεί από παιδιά άνω των 8 ετών, καθώς και από άτομα με μειωμένες σωματικές, αισθητηριακές ή νοητικές ικανότητες ή έλλειψη εμπειρίας και γνώσης, μόνο αν επιβλέπονται ή τους έχουν δοθεί οδηγίες σχετικά με την ασφαλή χρήση της συσκευής και κατανοούν τους κινδύνους που ενέχει αυτή. Τα παιδιά δεν πρέπει να παίζουν με τη συσκευή. Η συσκευή δεν πρέπει να καθαρίζεται ή να συντηρείται από παιδιά χωρίς επίβλεψη.



- Οι αντλίες μας μπορούν να συναρμολογηθούν και να εγκατασταθούν μόνο σε πισίνες που συμμορφώνονται με τα πρότυπα IEC / HD 60364-7-702 και τους απαιτούμενους εθνικούς κανονισμούς. Σε περίπτωση αμφιβολίας, συμβουλευτείτε την αντιπροσωπεία σας.

- Η εγκατάσταση πρέπει να πραγματοποιηθεί σύμφωνα με το πρότυπο IEC / HD 60364-7-702 και τους απαιτούμενους εθνικούς κανονισμούς για τις πισίνες

- Η αντλία δεν μπορεί να εγκατασταθεί στη Ζώνη 0 και τη Ζώνη 1. Για να δείτε τα σχέδια, ανατρέξτε στη σελίδα: 87.
- Η αντλία προορίζεται για χρήση δεμένη σε στήριγμα ή ασφαλισμένη σε συγκεκριμένη θέση.
- Δείτε τη μέγιστη συνολική κεφαλή σε μέτρα, στη σελίδα 100.
- Μια λεκάνη με επαρκές στόμιο εξαγωγής πρέπει να τοποθετείται σε περιοχές όπου υπάρχει η πιθανότητα υπερχειλίσης.
- Αν πρέπει να εγκαταστήσετε μια αντλία αυτόματης αναρρόφησης επάνω από το επίπεδο του νερού, η διαφορική πίεση αναρρόφησης της αντλίας δεν πρέπει να είναι άνω των 0,02 MPa (2 mH₂O). Βεβαιωθείτε ότι ο αγωγός αναρρόφησης έχει όσο το δυνατόν μικρότερο μήκος, καθώς οι αγωγοί μεγάλου μήκους αυξάνουν τον χρόνο αναρρόφησης και τις απώλειες φορτίου στην εγκατάσταση.
- Η συσκευή πρέπει να συνδεθεί σε μία πρίζα εναλλασσόμενου ρεύματος (βλ. λεπτομέρειες στην πινακίδα σήμανσης της αντλίας) με γείωση, προστατευμένη με διάταξη παραμένοντος ρεύματος (RCD), ο οποίος έχει μέγιστο ονομαστικό παραμένον ρεύμα λειτουργίας 30 mA.
- Δείτε τη συνολική κεφαλή πίεσης, σε μέτρα, στο πίσω κάλυμμα του ειδικού εγχειριδίου για κάθε εύρος αντλίας.

1. ΓΕΝΙΚΕΣ ΑΠΑΙΤΗΣΕΙΣ ΑΣΦΑΛΕΙΑΣ

Τα σύμβολα (  ) επισημαίνουν κίνδυνο όταν δεν τηρούνται οι σχετικές απαιτήσεις.



ΚΙΝΔΥΝΟΣ. Κίνδυνος ηλεκτροπληξίας.

Η αγνόηση της ειδοποίησης αποτελεί κίνδυνο ηλεκτροπληξίας.



ΚΙΝΔΥΝΟΣ.

Η αγνόηση της ειδοποίησης αποτελεί κίνδυνο ζημίας ανθρώπων ή αντικειμένων.



ΠΡΟΣΟΧΗ.

Η αγνόηση της ειδοποίησης αποτελεί κίνδυνο ζημίας αντλίας ή εγκαταστάσεως.

2. ΓΕΝΙΚΕΣ ΠΡΟΔΙΑΓΡΑΦΕΣ ΑΣΦΑΛΕΙΑΣ

ΓΕΝΙΚΑ



- Η εγκατάσταση πρέπει να προσαρμοστεί με τις συνθήκες του τόπου εγκατάστασης.

- Τήρηστε τους ισχύοντες κανόνες πρόληψης ατυχημάτων.

- Οποιαδήποτε τροποποίηση της αντλίας απαιτεί προέγκριση του κατασκευαστή. Τα γνήσια ανταλλακτικά και τα εξουσιοδοτημένα από τον κατασκευαστή εξαρτήματα προσφέρουν περισσότερη ασφάλεια. Ο κατασκευαστής της αντλίας απαλλάσσεται από κάθε ευθύνη ζημίας για την χρήση μην γνήσιων ανταλλακτικών ή μην εξουσιοδοτημένων εξαρτημάτων.



- Όταν γίνονται δουλειές στο μηχάνημα ή σε σχετικές συσκευές του, πρέπει να αποσυνδεθεί η συσκευή από το ρεύμα και τους μηχανισμούς εκκίνησης, επειδή τα ηλεκτρικά μέρη της αντλίας βρίσκονται τότε υπό τάση.

- Η τήρηση των οδηγιών εγκατάστασης και λειτουργίας είναι απαραίτητη για την ασφαλή λειτουργία της μηχανής.



- Σε περίπτωση βλάβης ή ελαττωματικής λειτουργίας, επικοινωνήστε με τον προμηθευτή σας ή με την αντίστοιχη αντιπροσωπεία.

ΠΡΟΕΙΔΟΠΟΙΗΣΕΙΣ ΓΙΑ ΤΑ ΕΡΓΑ ΕΓΚΑΤΑΣΤΑΣΗΣ ΚΑΙ ΣΥΝΑΡΜΟΛΟΓΗΣΗΣ



- Όταν αφαιρέσετε την αντλία από το κουτί συσκευασίας, πρέπει να την μετακινήσετε πάνοντας ταυτόχρονα το στόμιο αναρρόφησης και το περικάλυμμα του κινητήρα, επειδή δεν μπορεί να ανασύρεται σε ένα μόνο σημείο.



- Στη διαδικασία σύνδεσης ηλεκτρικών καλωδίων στο κινητήρα της μηχανής, επιβεβαιώστε ότι δεν υπάρχουν κομμάτια καλωδίων μέσα στο κιβώτιο σύνδεσης πριν κλείσετε και η γείωση είναι σωστά συνδεδεμένη. Συνδέστε την μηχανή σύμφωνα με το διάγραμμα ηλεκτρικής εγκατάστασης δίπλα στην μηχανή.

- Ασφαλίστε τις συνδέσεις ηλεκτρικών καλωδίων στο κιβώτιο ακροδεκτών της μηχανής, ώστε να είναι καλά στερεωμένες στους ακροδέκτες σύνδεσης.

- Χρησιμοποιήστε σωστά τη φλάντζα στο κιβώτιο ακροδεκτών του ηλεκτρικού κινητήρα για να μην εισέλθει νερό. Επίσης, τοποθετήστε και σφίξτε το σφράγισμα καλωδίου στο δίοδο αερισμού μέσα στο κιβώτιο ακροδεκτών.



- Προσέξτε ειδικά να μην εισέλθει νερό, σε καμία περίπτωση, στα ηλεκτρικά μέρη υπο τάση.

- Σε περίπτωση διαφορετικών χρήσεων, εφαρμόστε αναγκαίες προσαρμογές και κανονισμούς.

ΠΡΟΕΙΔΟΠΟΙΗΣΕΙΣ ΠΡΙΝ ΤΗΝ ΕΝΑΡΞΗ ΛΕΙΤΟΥΡΓΙΑΣ



Επιβεβαιώστε την διακρίβωση συσκευών ηλεκτρικής προστασίας του κινητήρα και τσεκάρετε ότι οι προστασίες ηλεκτρικών και μηχανικών επαφών είναι σωστά τοποθετημένες και στερεωμένες πριν την έναρξη λειτουργίας.

ΠΡΟΕΙΔΟΠΟΙΗΣΕΙΣ ΓΙΑ ΤΑ ΕΡΓΑ ΣΥΝΑΡΜΟΛΟΓΗΣΗΣ ΚΑΙ ΣΥΝΤΗΡΗΣΗΣ



- Τηρήστε τους εγχώριους κανονισμούς εγκατάστασης για την συναρμολόγηση και εγκατάσταση αντλιών.



- Προσέξτε ειδικά να μην εισέλθει νερό, σε καμία περίπτωση, στα ηλεκτρικά μέρη υπο τάση.



- Αποφεύγετε πάντα την επαφή, έστω και από ατύχημα, με κινητά τμήματα της μηχανής όταν είναι σε λειτουργία ή πριν σταματήσει εντελώς.



- Περιμένετε να σταματήσει εντελώς η μηχανή πριν οποιαδήποτε επέμβαση.



- Αποσυνδέστε την μηχανή από κάθε ηλεκτρική σύνδεση και αποκλείετε τους μηχανισμούς έναρξης λειτουργίας πριν οποιαδήποτε ηλεκτρική ή μηχανική επέμβαση.

- Ακολουθήστε την πάρα κάτω διαδικασία πριν οποιαδήποτε επέμβαση στην μηχανή:

1. Αποσυνδέστε τη τάση από την μηχανή.

2. Αποκλείετε τις συσκευές έναρξης λειτουργίας.

3. Επιβεβαιώστε ότι δεν υπάρχει τάση στα κυκλώματα, ακόμα στα βοηθητικά και επιπρόσθετα.

4. Περιμένετε μέχρι ο τροχός να σταματήσει εντελώς.



Η λίστα που αναφέρεται είναι ενδεικτική και ενδέχεται να μην είναι πλήρες, επειδή μπορεί να προβλέπονται επιπλέον απαιτήσεις στους εθνικούς νόμους ασφαλείας.



Οι οδηγίες εγκατάστασης, χρήσης και συντήρησης σε αυτό το εγχειρίδιο δεν προβλέπουν, λόγω περιπλοκότητας υποθέσεων, κάθε πιθανή περίπτωση λειτουργίας και συντήρησης. Αν χρειάζεστε επιπλέον οδηγίες ή υπάρχουν ειδικά προβλήματα, μην διστάζετε να επικοινωνήσετε με το αντίστοιχο Εξουσιοδοτημένο Κέντρο Σέρβις.

3. ΕΓΚΑΤΑΣΤΑΣΗ ΚΑΙ ΣΥΝΑΡΜΟΛΟΓΗΣΗ

ΓΕΝΙΚΑ



- Η συναρμολόγηση της αντλίας πρέπει να γίνει οριζόντιος λόγου προφίλτρου. Οι αντλίες έχουν ένα προφίλτρο με ένα εσωτερικό καλάθι που μαζεύει μεγάλα σωματίδια, που μπορούν να προκαλέσουν βλάβες στο εσωτερικό υδραυλικό κομμάτι της αντλίας.
- Όλες οι αντλίες έχουν μια βάση με τρύπες για στερέωση στο έδαφος (Εικ. 1).

ΣΩΛΗΝΕΣ



- Για να συνδέσετε τον σωλήνα, κολλήστε τον σωλήνα με τα ρακόρ σύνδεσης, που συμπεριλαμβάνονται μαζί με την αντλία. Οι ενώσεις των ρακόρ με τα στόμια αναρρόφησης και επιστροφής της αντλίας είναι σπειρωτές με φλάντζες για την αποτροπή διαρροής νερού (Εικ. 2).
- Η εγκατάσταση σωλήνων επιστροφής πρέπει να γίνει κάθετα, κεντραρισμένα με το στόμιο που θα συνδεθεί για να μην δέχονται εξωτερικές πιέσεις που μπορεί να δυσκολέψουν την συναρμολόγηση τους ή να τα σπάσουν (Εικ. 2).
- Η εγκατάσταση του σωλήνα αναρρόφησης πρέπει να γίνει με ελάχιστη κλίση 2% προς την αντλία για να μην παγιδεύεται αέρας (Εικ. 2).
- Για την σωστή λειτουργία της αντλίας εκκενώστε το προφίλτρο της αντλίας μέχρι να βγει νερό στον αγωγό αναρρόφησης (Εικ. 3).

ΤΟΠΟΘΕΤΗΣΗ



- Η εγκατάσταση της αντλίας πρέπει να γίνει κάτω από το επίπεδο νερού της πισίνας ή της δεξαμενής για καλύτερη επίδοση των αντλιών.



- Προσπαθήστε η αντλία να είναι σε ασφαλή θέση με ξηρό αερισμό σε περίπτωση πλημμύρισης.

ΗΛΕΚΤΡΙΚΗ ΕΓΚΑΤΑΣΤΑΣΗ



- Είναι απαραίτητη η χρήση συσκευής πολλαπλής αποσύνδεσης με ελάχιστη απόσταση 3 mm μεταξύ επαφών για αποσύνδεση του μηχανήματος από την ηλεκτρική τροφοδοσία.
- Χρησιμοποιήστε άκαμπτο καλώδιο για την ηλεκτρική σύνδεση. Αν χρησιμοποιείτε εύκαμπτο καλώδιο για την ηλεκτρική σύνδεση, πρέπει να έχει τερματικά για να συνδεθεί στους ακροδέκτες του κινητήρα της αντλίας.
- Ρυθμίστε το διακόπτη κυκλώματος παραμένουτος ρεύματος ανάλογα με την ένταση της αντλίας.

- Επιβεβαιώστε το φυσίγγιο που χρειάζεται πριν συνδέσετε το κινητήρα.
- Επιβεβαιώστε ότι το καλώδιο γείωσης είναι σωστά τοποθετημένο και συνδεδεμένο στην εγκατάσταση μηχανήματος.
- Τηρήστε τις προδιαγραφές εγκατάστασης και ηλεκτρικής σύνδεσης, αλλιώς ο κατασκευαστής της αντλίας δεν φέρει καμία ευθύνη και δηλώνει άκυρη την εγγύηση.
- Ενδέχεται να υπάρχουν ειδικοί κανονισμοί εγκατάστασης.
- Κίνδυνος ηλεκτροπληξίας σε περίπτωση ελαττωματικής ηλεκτρικής σύνδεσης.

Αν η αντλία έχει μονοφασικό κινητήρα:

- Διαθέτει ενσωματωμένη θερμική προστασία.
- Χρησιμοποιήστε διακόπτη προστασίας κινητήρα μαγνητοθερμικής προστασίας.
- Τα στοιχεία ρύθμισης του θερμορελέ είναι τελειώς ενδεικτικά γιατί ο κινητήρας φέρει ενσωματωμένη προστασία.
- Για 230V χρησιμοποιήστε σύνδεση τύπου H07 RN-F3 και αποφασίστε τη διατομή καλωδίου ανάλογα στην ισχύ του κινητήρα και μήκος καλωδίου.

Αν η αντλία έχει τριφασικό κινητήρα:

- Χρησιμοποιήστε διακόπτη προστασίας κινητήρα μαγνητοθερμικής προστασίας.
- Προστατέψτε την αντλία για υπερφόρτιση με διακόπτη ασφαλείας κινητήρων.
- Ρυθμίστε το θερμορελέ σύμφωνα με τον πίνακα θερμικών προστατευτικών. Για την σύνδεση Δ (Δίκτυο 3 x 230 V.) χρησιμοποιήστε το προστατευτικό 15,5 υψηλότερου αριθμού. Για την σύνδεση Υ (Δίκτυο 3 x 400 V.) χρησιμοποιήστε το προστατευτικό ελάχιστου αριθμού.
- Συνδέστε την κατώτατη τάση στο Δ και την υψηλότερη στο Υ για περιοχές τάσης που δεν είναι 230/400V; 400/690V.
- Σε εναλλασσόμενο ρεύμα χρησιμοποιήστε σύνδεση τύπου H07 RN-F3 και αποφασίστε τη διατομή καλωδίου ανάλογα με την ισχύ κινητήρα και μήκος καλωδίου.
- Η σύνδεση καλωδίου δικτύου μόνο μπορεί να εγκατασταθεί από εξειδικευμένα και εξουσιοδοτημένα άτομα.


4. ΟΔΗΓΙΕΣ ΓΙΑ ΤΗΝ ΘΕΣΗ ΣΕ ΛΕΙΤΟΥΡΓΙΑ

ΠΡΟΕΙΔΟΠΟΙΗΣΕΙΣ ΠΡΙΝ ΤΗΝ ΕΝΑΡΞΗ ΛΕΙΤΟΥΡΓΙΑΣ



- Προετοιμασίες πριν την πρώτη λειτουργία.

1. Ανοίξτε το καπάκι προφίλτρου, ξεβιδώνοντας το παξιμάδι στήριξης (Εικ. 5).
2. Γεμίστε την αντλία με νερό στο προφίλτρο μέχρι να βγει νερό στον αγωγό αναρρόφησης.

3. Τοποθετήστε ξανά το καλάθι μέσα στο προφίλτρο, αν το έχετε αφαιρέσει για να μην εισέλθουν μεγάλα σωματίδια που μπορούν να παρεμποδίσουν την λειτουργία της αντλίας.
 4. Επιβεβαιώστε ότι η τάση και η συχνότητα δικτύου είναι ίδιες με αυτές που περιγράφονται στην πινακίδα σήμανσης της αντλίας.
- Τοποθετήστε το καπάκι προφίλτρο και κλείστε βιδώνοντάς, μην ξεχάσετε να βάλετε την φλάντζα στην παροχή (Εικ. 5).
 - Οι αντλίες δεν μπορούν να λειτουργούν σε καμία περίπτωση με άδειο προφίλτρο νερού, επειδή μπορεί να προκαλέσει διαρροή νερού λόγω ζημίας του μηχανικού συνδέσμου.
-  - Επιβεβαιώστε ότι η φορά περιστροφής κινητήρα είναι σωστή, ελέγξτε το πίσω ανεμιστήρα του κινητήρα στην οπή παρατήρησης στο καπάκι του ανεμιστήρα (Εικ. 6).

ΕΝΑΡΞΗ ΛΕΙΤΟΥΡΓΙΑΣ



- Ανοίξτε όλες τις βαλβίδες και συνδέστε το κινητήρα.
- Ενεργοποιήστε την αυτόματη αναρρόφηση του σωλήνα και περιμένετε να ολοκληρωθεί σε εύλογο χρονικό διάστημα.

5. ΣΥΝΤΗΡΗΣΗ

Κάθε 100 ώρες λειτουργίας, ανάλογα με την καθαριότητα του νερού, πρέπει να επανεξετάζονται τα εξής σημεία:



- Τα μηχανικά μέρη είναι στερεωμένα και οι βίδες στερέωσης της μηχανής είναι σε καλή κατάσταση.
- Καθαρίστε το καλάθι στο προφίλτρο ανά διαστήματα ώστε να αποτρέπεται η πτώση πίεσης. Μην χτυπάτε το προφίλτρο όταν το καθαρίζετε για να μην σπάσει το καλάθι.
- Θερμοκρασία της μηχανής και του ηλεκτρικού κινητήρα. Σε περίπτωση ανωμαλίας, σταματήστε αμέσως την λειτουργία της μηχανής και επικοινωνήστε με το αντίστοιχο Εξουσιοδοτημένο Κέντρο Σέρβις.
- Δόνηση της μηχανής. Σε περίπτωση ανωμαλίας, σταματήστε αμέσως την λειτουργία της μηχανής και επικοινωνήστε με το αντίστοιχο Εξουσιοδοτημένο Κέντρο Σέρβις.
- Αν η αντλία έχει σταματήσει, επιβεβαιώστε αν η κατανάλωση αμπερ λειτουργίας της μηχανής είναι ίδια ή μειωμένη σχετικά με τη πινακίδα σήμανσης του κατασκευαστή, ή επικοινωνήστε με το αντίστοιχο Εξουσιοδοτημένο Κέντρο Σέρβις.



- Εκκενώστε την αντλία σε διαστήματα αδράνειας, κυρίως σε περιοχές με χαμηλές θερμοκρασίες με κίνδυνο συνθήκων παγετού.
- Για να γίνει η εκκένωση, αφαιρέστε το πόμα αποστράγγισης 10.
- Κάθε φορά που ανοίγετε το προφίλτρο, καθαρίστε την παροχή και την φλάντζα για να διατηρήσετε τη στεγανότητα στο κλείσιμο καπακιού (Εικ. 5).
- Μερικά στοιχεία της αντλίας υποστούν τυπική φθορά τακτικής χρήσης και πρέπει να αντικατασταθούν τακτικά για καλή επίδοση της αντλίας. Ο ακόλουθος πίνακας παραθέτει τα ανταλλακτικά και / ή αναλώσιμα στοιχεία της αντλίας και το χρονικό διάστημα κατά το οποίο πρέπει να έχουν αντικατασταθεί:

ΠΕΡΙΓΡΑΦΗ ΤΗΣ ΣΥΣΚΕΥΗΣ	ΠΕΡΙΟΔΟΣ ΩΡΑΣ ΠΟΥ ΠΡΕΠΕΙ ΝΑ ΑΝΤΙΚΑΤΑΣΤΑΘΕΙ
Συμπυκνωτής	10.000 h.
Ρουλεμάν	10.000 h.
Μηχανική σφραγίδα	10.000 h.
Φλάντζες και άλλα στοιχεία στεγανοποίησης ⁽¹⁾	10.000 h.

Η εκτιμώμενη διάρκεια ζωής στοιχείων υπολογίζεται για κανονικές συνθήκες χρήσης και εγκατάστασης του προϊόντος.

⁽¹⁾ Το άνοιγμα και το κλείσιμο της αντλίας για την αντικατάσταση οποιουδήποτε από τα εσωτερικά ανταλλακτικά δεν εγγυάται την επακόλουθη σφράγιση. Για το λόγο αυτό, οι δακτύλιοι και τα στοιχεία στεγανοποίησης συνιστώνται να αντικαθίστανται όποτε αντικαθίσταται η μηχανική σφράγιση ή / και τα ρουλεμάν.

6. ΑΠΟΣΥΝΑΡΜΟΛΟΓΗΣΗ



- Ο κινητήρας μπορεί να αποσυναρμολογηθεί από το σώμα αντλίας, χωρίς να είναι απαραίτητη η αποσύνδεση σωλήνων αναρόφησης και επιστροφής της αντλίας.
- Για να αποσυναρμολογήσετε το κινητήρα από το σώμα της αντλίας, αφαιρέστε τις βίδες σύνδεσης.

7. ΠΙΝΑΚΑΣ ΣΦΑΛΜΑΤΩΝ

1. Η εκκένωση αντλίας δεν ξεκινάει
2. Η αντλία παρέχει ελάχιστη ροή νερού
3. Η αντλία κάνει θόρυβο
4. Η αντλία δεν ξεκινάει
5. Ο κινητήρας κάνει θόρυβο αλλά δεν ξεκινάει σε λειτουργία
6. Ο κινητήρας έχει σταματήσει

1	2	3	4	5	6	ΑΙΤΙΕΣ	ΛΥΣΕΙΣ
●	●					Μπαίνει αέρας στο σωλήνα αναρρόφησης	Επιβεβαιώστε την κατάσταση σε ρακόρ και φλάντζες του σωλήνα αναρρόφησης
●						Ελαττωματική στεγανότητα καπάκι φίλτρου	Καθαρίστε το καπάκι φίλτρου και επιβεβαιώστε κατάσταση λάστιχου σύνδεσης
●	●					Αντίθετη φορά περιστροφής κινητήρα	Αντιστρέψτε 2 φάσεις τροφοδοσίας
●	●		●			Λάθος τάση	Επιβεβαιώστε την τάση πινακίδας σήμανσης και δικτύου
	●					Προφίλτρο θηλυκωμένο	Καθαρίστε το φίλτρο
	●					Απώλειες φορτίου εγκατάστασης	Αποτρέψτε όσο το δυνατόν περισσότερο να προκαλούν τα στοιχεία απώλειες φορτίου
		●				Λάθος στερέωση αντλίας	Στερεώστε σωστά την αντλία
				●		Απόκλιση κινητήρα	Αποσυναρμολογήστε τον κινητήρα και επικοινωνήστε με το κέντρο σέρβις
					●	Αύξηση θερμοκρασίας στο κιβώτιο ακροδεκτών λόγω βολταϊκού τόξου	Τσεκάρετε τις συνδέσεις στο κιβώτιο ακροδεκτών
					●	Ενεργοποίηση θερμικής προστασίας	Συνδέστε σωστά τις συνδέσεις καλωδίων με τα τερματικά κιβωτίων ακροδεκτών
					●	Λάθος συνδέσεις στο κιβώτιο ακροδεκτών	Σφίξτε καλά το καλώδιο με το τερματικό / Προσαρμόστε την έκταση καλωδίου στα τερματικά κιβωτίου ακροδεκτών

معلومات الأمان والتركيب والصيانة الهامة

يشتمل هذا الدليل على المعلومات الأساسية بشأن تدابير السلامة الواجب تطبيقها أثناء التركيب وبدء التشغيل. ولذلك، يجب أن يقرأ الفني القائم بالتركيب والمستخدم هذه الإرشادات قبل التركيب وبدء التشغيل.

وتجدر الإشارة إلى أنه يمكن تنزيل هذا الدليل في شكل مستند بتنسيق PDF من موقعنا الإلكتروني:
www.astralpool.com

• الوحدات التي يرد وصفها في هذا الدليل مصممة خصيصاً من أجل الترشيح (الفلتر) الأولي وإعادة تدوير المياه في المسابح (حمامات السباحة).



• هذه الوحدات مصممة للعمل مع مياه نظيفة في درجات حرارة لا تتجاوز 35 درجة مئوية.

• يجب أن يقوم بكافة أعمال التجميع والصيانة أفراد مؤهلون معتمدون يكونوا قد قرأوا إرشادات التركيب والخدمة قراءة دقيقة.



• هذا الجهاز غير مخصص للاستخدام من قبل الأشخاص (بما في ذلك الأطفال) ذوي القدرات الجسدية أو الشعورية أو العقلية المحدودة، أو من يتسمون بقلّة الخبرة والمعرفة، ما لم يتم ذلك تحت إشراف أو بإرشاد الأشخاص المسؤولين عن سلامتهم. يجب مراقبة الأطفال لضمان عدم لعبهم بالجهاز.

• يمكن استخدام هذا الجهاز من قبل الأطفال الذين تتراوح أعمارهم بين 8 سنوات وما فوق والأشخاص الذين يعانون من ضعف القدرات الجسدية أو الحسية أو العقلية أو يتسمون بنقص الخبرة والمعرفة إذا تم منحهم الإشراف أو الإرشادات المتعلقة باستخدام الجهاز بطريقة آمنة وفهم المخاطر التي ينطوي عليها. لا ينبغي للأطفال اللعب بالجهاز لا ينبغي للأطفال القيام بأعمال التنظيف والصيانة التي يقوم بها المستخدم دون إشراف.

• يمكن فقط تجميع وتركيب مضخاتنا في مسابح (حمامات سباحة) تتوافق مع المعيار: IEC / HD 60364-7-702 والقواعد الوطنية المنطبقة. وفي حالة الشك، يُرجى استشارة الموزع.



• ينبغي أن يتبع التركيب المعيار: IEC/HD 60364-7-702 والقواعد الوطنية المنطبقة على المسابح.

• ممنوع تركيب المضخة في المنطقة صفر (0) أو المنطقة واحد (1). لرؤية الرسومات راجع الصفحة: 87

• جب أن يقوم بكافة أعمال التجميع والصيانة أفراد مؤهلون معتمدون يكونوا قد قرأوا إرشادات التركيب والخدمة قراءة دقيقة.

• انظر الحد الأقصى لضغط المضخة على عمود المياه بالأمتار في الصفحة 100.

• يجب وضع حوض ذو منفذ مناسب في المكان الذي يحتمل أن يفيض به ماء.

- إذا تم تركيب مضخة ذاتية التحضير فقلو مستوى الماء فينبغي عدم تجاوز فارق الضغط على ماسورة الشفط بالمضخة 0.02 ميغا باسكال 2 م ماء (mH₂O). ويجب أن تكون ماسورة الشفط قصيرة بأكبر قدر ممكن لأن المسورة الطويلة سوف تزيد زمن الشفط وفوق حد حمل النظام.
- يجب توصيل المضخة إلى مصدر تغذية تيار متناوب (متردد) (فضلاً، انظر البيانات على لوحة المضخة) مع توصيلة أرضي، وحماتها بجهاز تيار متبق يعمل بتبار متبق للتشغيل لا يتجاوز 30 ملي أمبير.
- انظر الحد الأقصى لضغط المضخة على عمود المياه، بالأمطار، في الغطاء الخلفي للدليل المحدد لكل نطاق مضخة

1. إرشادات السلامة العامة

تشير هذه الرموز (⚠️ ⚡️ ⚠️) إلى إمكانية وجود خطر ما لم تُتبع

- ⚡️ **خطر.** خطر التعرض للصعق الكهربائي. قد يؤدي عدم الالتزام بهذه الإرشادات إلى خطر التعرض للصعق الكهربائي.
- ⚠️ **خطر.** قد يؤدي عدم الالتزام بهذه الإرشادات إلى خطر تعرض الأفراد للإصابة والممتلكات للأضرار.
- ⚠️ **تحذير.** قد يؤدي عدم الالتزام بهذه الإرشادات إلى خطر تعرض المضخة أو التركيب للأضرار.

2. تنظييمات السلامة العامة

عام

- يجب التركيب طبقاً للإرشادات المحددة لكل تركيب.
- يجب الالتزام باللوائح التنظيمية السارية المعنية بالوقاية من الحوادث.
- تتطلب كافة التعديلات على المضخة الحصول على موافقة مسبقة من الشركة المصنعة. وتضمن قطع الغيار والملحقات (الإكسسوارات) المعتمدة من الشركة المصنعة درجة أكبر من الأمان. ولا تتحمل الشركة المصنعة أي مسؤولية فيما يتعلق بأي ضرر تتسبب فيه قطع الغيار أو الملحقات غير المعتمدة.
- عند العمل بكل مضخة أو الأجهزة الأخرى المتصلة بها، يجب فصل المضخة عن التغذية الكهربائية وأجهزة التشغيل، فالأجزاء الكهربائية للمضخة تكون حية أثناء التشغيل.





- يجب أن يقوم بكافة أعمال التجميع والصيانة أفراد مؤهلون معتمدون يكونوا قد قرأوا إرشادات التركيب والخدمة قراءة دقيقة.
- لضمان السلامة عند تشغيل المضخة، يجب الالتزام بإرشادات التركيب والخدمة.
- في حالة التشغيل المعيب أو الأعطال، يجب الاتصال بالموارد أو أقرب موزع.

التحذيرات أثناء التركيب والتجميع

- في حالات توصيلات صندوق التوصيل (التوزيع) فقط: عند توصيل الأسلاك الكهربائية إلى المحرك (الموتور)، يجب فحص الترتيب داخل الصندوق والتأكد من عدم وجود قطع أسلاك بداخله بعد غلقه، كما يجب التحقق من التوصيل الصحيح لموصل الأرضي. ويجب توصيل المحرك طبقاً لمخطط توصيلات الأسلاك المرفق بالمضخة.



- في حالات توصيلات صندوق التوصيل (التوزيع) فقط: يجب التحقق من التثبيت الجيد لتوصيلات الأسلاك الكهربائية إلى صندوق الأطراف وربطها بإحكام إلى الأطراف.
- يجب ضمان التثبيت الصحيح لمانع تسريب صندوق توصيل (توزيع) المحرك للوقاية من دخول المياه إليه.
- وعلى غرار ذلك، يجب ضبط وضع الواقي الموجود داخل ماسورة الكابل بصندوق التوزيع وربطه بإحكام.



- يجب ضمان عدم تمكن المياه من الدخول إلى المحرك أو الأجزاء الكهربائية الحية.
- عندما لا يكون الاستخدام المقصود هو الاستخدام الوارد في الإرشادات فقط تنطبق تعديلات فنية ولوائح تنظيمية (تنظيمات) إضافية.

التحذيرات أثناء بدء التشغيل

- قبل بدء تشغيل المضخة، يجب فحص معايرة أجهزة الحماية الكهربائية المركبة على المحرك وكذلك التحقق من الضبط والتثبيت الصحيح للحماية من التماسات الكهربائية والميكانيكية.



التحذيرات أثناء التجميع والصيانة

- يجب اتباع اللوائح التنظيمية المحلية المعنية بالتركيب عند تجميع وتركيب هذه المضخة.
- يجب ضمان عدم تمكن المياه من الدخول إلى المحرك أو الأجزاء الكهربائية الحية.
- يجب في جميع الأوقات تجنب ملامسة الأجزاء المتحركة ولو بصورة عارضة بينما تكون المضخة قيد التشغيل و/ أو قبل أن تتوقف بالكامل.
- يجب الانتظار حتى تتوقف المضخة قبل التعامل معها.
- قبل القيام بأي أعمال صيانة كهربائية أو ميكانيكية، يجب فصل المضخة عن مصدر التغذية الكهربائية وإعاقة أجهزة بدء التشغيل.



- يجب اتباع الخطوات المبينة أدناه قبل التعامل مع المضخة:

1. فصل المضخة عن الكهرباء الرئيسية.
2. إعاقفة جميع أجهزة بدء التشغيل.
3. التأكد من عدم وجود فولتية في الدوائر، حتى في الدوائر الثانوية والميزات الإضافية.
4. الانتظار حتى تتوقف المروحة بالكامل.



القائمة المذكورة عالية هي للأغراض الاسترشادية فقط فقد تكون هناك متطلبات أخرى بالإضافة إلى القوانين المحلية لأسباب تتعلق بالسلامة.

- للتحكم المنتظم:

- التأكد من أن الأجزاء الميكانيكية مثبتة بإحكام، وفحص حالة المسامير التي تثبت المضخة.
- التأكد من أن موصلات الطاقة وقطع العزل في وضعها الصحيح، ومثبتة وفي حالة جيدة.
- فحص درجة حرارة المضخة والمحرك (الموتور) الكهربائي. في حالة وجود عطل، يجب إيقاف المضخة على الفور والاتصال بأقرب خدمة مساعدة فنية.
- فحص حالة اهتزاز المضخة. في حالة وجود عطل، يجب إيقاف المضخة على الفور والاتصال بأقرب خدمة مساعدة فنية.



- بسبب الطبيعة المعقدة للحالات الموضحة، لم تتطرق إرشادات التركيب والاستخدام والصيانة الواردة في هذا الدليل إلى كافة حالات الصيانة والخدمة المحتملة أو التي يمكن تخيلها. فإن كانت هناك حاجة إلى إرشادات إضافية أو كانت هناك مشاكل محددة فُرجى عدم التردد في الاتصال بأقرب خدمة مساعدة فنية.



3. التركيب والتجميع عام

- يجب تركيب المضخة أفقيًا لملاءمة المرشح (الفلتر) الأولي. وهذه المضخة مجهزة بمرشح (فلتر) أولي مصفاة داخلية لتجميع أي جسيمات كبيرة، إذ يمكنها إتلاف الأجزاء الهيدروليكية التي بداخل المضخة.



- جميع المضخات مجهزة بحامل مزود بثقوب للتثبيت على الأرضية (الشكل 1).

توصيل المواسير

- لتوصيل المواسير، يوضع الغراء على المواسير والموصلات، الموزدة سويًا مع المضخة، ومداخل التوصيلات بفتحتي الشفط والعودة (الراجع) بالمضخة مسننة ويوجد بها موانع تسرب لمنع فقدان الماء (الشكل 2).



- يجب تركيب ماسورة العودة (الراجع) متعامدة بالكامل ومتمركزة بالنسبة للفتحة المراد توصيلها للوقاية من إخضاع المضخة والماسورة لإجهاد خارجي، الذي يمكنه كسرهما، بالإضافة إلى تسببه في صعوبة التركيب.

- يجب تركيب ماسورة الشفط بميل خفيف بنسبة 2% باتجاه المضخة لتجنب تكوين جيوب هوائية (الشكل 2).

- لضمان التشغيل الصحيح للمضخة، يجب تحضير المرشح (الفلتر) الأولي للمضخة حتى يرتفع الماء خلال ماسورة الشفط (الشكل 3).

الموقع

- يجب تركيب المضخة تحت مستوى الماء في المسبح (حمام السباحة) لتحسين أدائها.



- يجب ضمان حماية المضخة من الفيضانات المحتملة وأنها تتلقى تهوية جافة.



التركيبات الكهربائية

- إن من الضرورة الجوهرية استخدام جهاز فصل متعدد مع مساحة لا تقل عن 3 ملم بين الأسطح لفصل المضخة عن التيار الكهربائي.



- ينبغي استخدام كابل قوي لتوصيل المضخة بالكهرباء الرئيسية. فإن أستخدم كابل مرن فيجب أن يكون مزودًا بعروات لتوصيله بأطراف محرك (موتور) المضخة.

- يجب ضبط / تعديل قيمة قاطع دائرة أعطال الأرضي بما يتوافق مع شدة المضخة.

- قبل توصيل المحرك (الموتور)، يجب التأكد من نوع المنصهر (الفيوز) المطلوب.

- يجب مراجعة الترتيب وتوصيل كابل الأرضي بالمضخة.

- يجب الالتزام بالإرشادات المعنية بالتركيبات والتوصيلات الكهربائية. ويمكن أن يؤدي عدم الالتزام بهذه الإرشادات إلى رفض الشركة المصنعة للمضخة تحمل أي مسؤولية وإلغاء وإبطال الضمان.
- يمكن أن يخضع التركيب للوائح تنظيمية خاصة.
- تنطوي التوصيلات غير الصحيحة بالكهرباء الرئيسية على خطر التعرض للصعق الكهربائي.

المضخات المجهزة بمحرك أحادي الطور:

- تشمل على حماية حرارية.
- يجب استخدام واقي محرك (موتور) بتجهيزة حماية مغناطيسية.
- ينبغي الاسترشاد ببيانات ضبط المرحل الحراري، فالمحرك مزود بالفعل بتجهيزة حماية.
- إذا كانت الفولتية 032 فولت، يجب استخدام جلبة توصيل من نوع H07 RN-F3 مع مقطع كابل يتوافق مع قدرة المحرك وطول الكابل.

المضخات المجهزة بمحرك ثلاثي الطور:

- يجب استخدام واقي محرك (موتور) بتجهيزة حماية مغناطيسية.
- يجب حماية المضخة من الأحمال الزائدة بمفتاح قاطع للمحرك.
- ينبغي ضبط القيمة الحرارية طبقاً لجدول الحماية الحرارية. بالنسبة للتوصيلة Δ (شبكة 3 × 032 فولت)، يجب استخدام تجهيزة حماية بأعلى قيمة مشار إليها. بالنسبة للتوصيلة Υ (شبكة 3 × 004 فولت)، يجب استخدام تجهيزة حماية بأقل قيمة مشار إليها.
- يتم توصيل أقل فولتية بالتوصيلة Δ وأعلى فولتية بالتوصيلة Υ للفواصل الزمنية للفولتية عدا 004/032 فولت، و096/004 فولت.
- بالنسبة للتيار المتناوب (المتدد)، يجب استخدام جلبة توصيل من نوع H07 RN-F3 مع مقطع كابل يتوافق مع قدرة المحرك وطول الكابل.
- يجب أن يقوم بتوصيل كابل الكهرباء الرئيسية أفراد ماهرون معتمدون.

4. إرشادات بدء التشغيل

قبل بدء التشغيل

- القياسات قبل أول تشغيل:



1. انزع غطاء المرشح (الفلتر) الأولي بلف الصامولة التي تثبته (الشكل 5).
 2. املاً المضخة بالماء من خلال المرشح (الفلتر) الأولي حتى يرتفع خلال ماسورة الشفط.
 3. إذا كان ينبغي إخراج المصفاة أثناء هذه العمليات فيجب عدم نسيان إعادتها إلى مكانها لمنع الجسيمات الكبيرة من الدخول إلى المضخة إذ يمكن أن تسدها.
 4. تأكد من أن الفولتية والتردد يتوافقان مع بيانات لوحة تقنين المضخة.
- ركب غطاء المرشح (الفلتر) الأولي واربطه، بدون نسيان وضع مانع التسرب في مبيته (الشكل 5).
- يجب عدم تشغيل المضخة بدون تعبئة المرشح (الفلتر) الأولي بالماء أولاً، فبدون ذلك قد تتعرض الحشية (الوجه) الميكانيكية للتلف، مما يؤدي إلى فقدان الماء.
- تأكد من أن المحرك (الموتور) يدور في الاتجاه الصحيح بالنظر إلى المروحة الموجودة في الجزء الخلفي من المحرك ويمكن رؤيتها من فتحة الرؤية الموجودة بغطاء المروحة.



بدء التشغيل

- افتح جميع الصمامات ووصل المحرك.
- نشط وضع التحضير الذاتي وانتظر فترة معقولة حتى يكتمل.



5. الصيانة

بناءً على مستوى نظافة الماء، ينبغي القيام بالمهام التالية كل 001 ساعة تشغيل:

- تنظيف مصفاة المرشح (الفلتر) الأولي بانتظام لتجنب انخفاضات الضغط. ولتفادي كسر المصفاة، يجب عدم خبطها أثناء التنظيف.
- إذا توقفت المضخة فيجب التحقق من أن الاستهلاك بشدة تيار (أمبير) المحرك أثناء عمله يساوي أو يقل عما هو مبين على لوحة تقنين الشركة المصنعة. فإن لم تكن هذه المعلومات متاحة فيجب الاتصال بأقرب خدمة مساعدة فنية.
- أفرغ المضخة إذا كانت ستظل متوقفة عن العمل لفترة طويلة، خاصة في البلدان ذات المناخ البارد حيث يوجد خطر تجمد.
- انزع غطاء الطرد لتفريغ المضخة.
- في كل مرة يتم فيها فتح المرشح (الفلتر) الأولي، نظف مانع التسرب ومبيته (جرمه) من أي شوائب لضمان عدم نفاذية الهواء عند غلق الغطاء (الشكل 5).



- يجب استبدال مكونات المضخة بانتظام التي تتعرض للبلبي و/ أو التآكل من الاستخدام العادي لضمان الأداء الجيد للمضخة. ويتضمن الجدول التالي مكونات المضخة القابلة للاستبدال و/ أو الاستهلاك والفترة الزمنية لاستبدالها.

وصف المكون	الفترة الزمنية بين عمليات الاستبدال
المُكثف	00001 ساعة
المحامل (الرولمانيبي)	00001 ساعة
مانع التسرب الميكانيكي	00001 ساعة
الحلقات المطاطية ومكونات منع التسرب الأخرى (1)	00001 ساعة

(1) إن فتح وغلق المضخة لاستبدال أي قطع غيار داخلية لا يضمن منع التسرب بعد هذه العمليات. ولهذا يوصى باستبدال الحلقات المطاطية ومكونات منع التسرب كلما تم تغيير مانع التسرب الميكانيكي و/ أو المحامل (الرولمانيبي).

تم الوصول إلى عمر التشغيل الافتراضي المُقدر للقطع المذكورة عاليه طبقاً للاستخدام العادي للمنتج وظروف التركيب.

يجب اتباع الإرشادات الواردة في دليل التركيب للمحافظة على عمر التشغيل الافتراضي للمضخة.

6. الفك

- يمكن فك وحدة المحرك (الموتور) من بدن المضخة بدون فل ماسورتي الشفط والعودة (الراجع) المرئيتين بالمضخة.



- لفك وحدة المحرك من بدن المضخة، يتم فك المسامير التي تثبتها معاً.

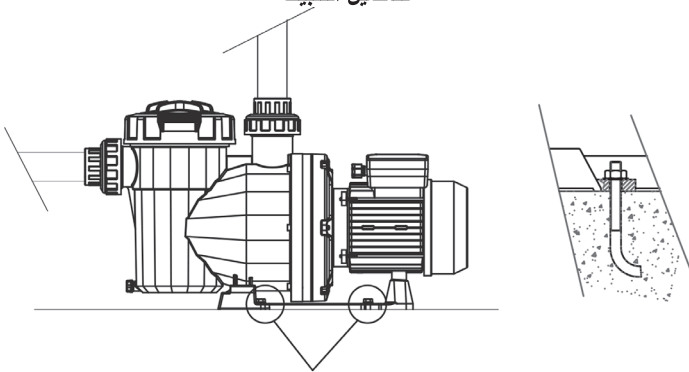
7. استكشاف الأعطال وإصلاحها

١. المضخة لا تحضّر
٢. المضخة تخرج كمية قليلة من الماء فقط
٣. المضخة تصدر ضوضاء
٤. المضخة لا تعمل
٥. المحرك (الموتور) يصدر صوتاً ولكنه لا يعمل
٦. المحرك (الموتور) توقف

الحلول	الأسباب	6	5	4	3	2	1
افحص حالة التوصيلات وموانع التسرب بماسورة الشفط	هناك هواء يدخل إلى ماسورة الشفط					●	●
نظف غطاء المرشح وافحص حالة مانع التسرب المطاطي	منع التسرب سيء بغطاء المرشح (الفلتر)						●
اعكس طوري القدرة	المحرك (الموتور) يدور في الاتجاه الخاطئ					●	●
تحقق من الفولتية على لوحة التقنين وفولتية الكهرباء الرئيسية	فولتية خاطئة			●		●	●
نظف المرشح	المرشح (الفلتر) الأولي مسدود					●	
امنع القطع/ الأجزاء من التسبب في قدان الحمل حيثما كان ممكناً	فقدان الحمل في النظام					●	
ثبت المضخة تثبيثاً صحيحاً	المضخة غير مثبتة بالطرق الصحيحة				●		
فك المحرك واتصل بالخدمة الفنية	المحرك (الموتور) مسدود		●				
افحص توصيلات صندوق الأطراف	ارتفاع درجة الحرارة في صندوق الأطراف نتيجة قوس كهربائي	●					
أوصل الكابلات بطريقة صحيحة إلى صناديق الأطراف	تجهيزة الحماية الحرارية تفصل	●					
اربط الكابلات بطريقة صحيحة بصندوق الأطراف / اضبط حجم توصيلة الكابل بما يتوافق مع صندوق الأطراف	توصيلات صناديق الأطراف غير صحيحة	●					

**ANCHOR DETAIL / DETAIL DE L'ANCRAGE
 DETALLE ANCLAJE / DETTAGLIO ANCORAGGIO
 VERANKERUNG / DETALHE DE FIXAÇÃO
 ΛΕΠΤΟΜΕΡΕΙΑ ΑΓΚΙΣΤΡΟΥ**

تفاصيل التثبيت



Anchor detail / Detail de l'ancrage
 Detalle anclaje / Dettaglio ancoraggio
 Verankerung / Detalhe de fixação
 Λεπτομέρεια άγκιστρου
 تفاصيل التثبيت

Fig. 1

**CORRECT / CORRECT / CORRECTO / CORRETTO
 RICHTIG / CORRECTO / ΣΩΣΤΟ / صحيح**

**INCORRECT / INCORRECT / INCORRECTO
 NON CORRETTO / FALSCH / INCORRECTO /
 ΛΑΘΑΣΜΕΝΟ / خطأ**

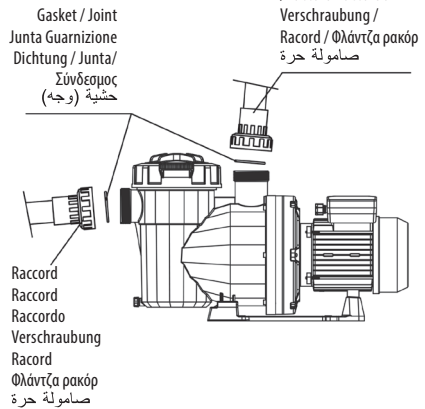
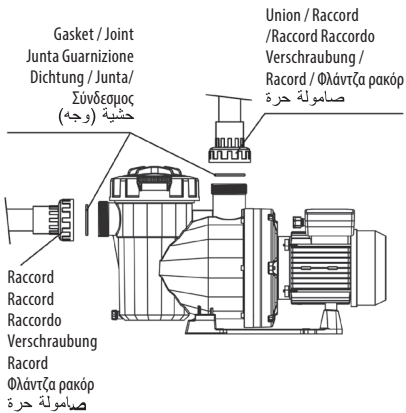


Fig. 2

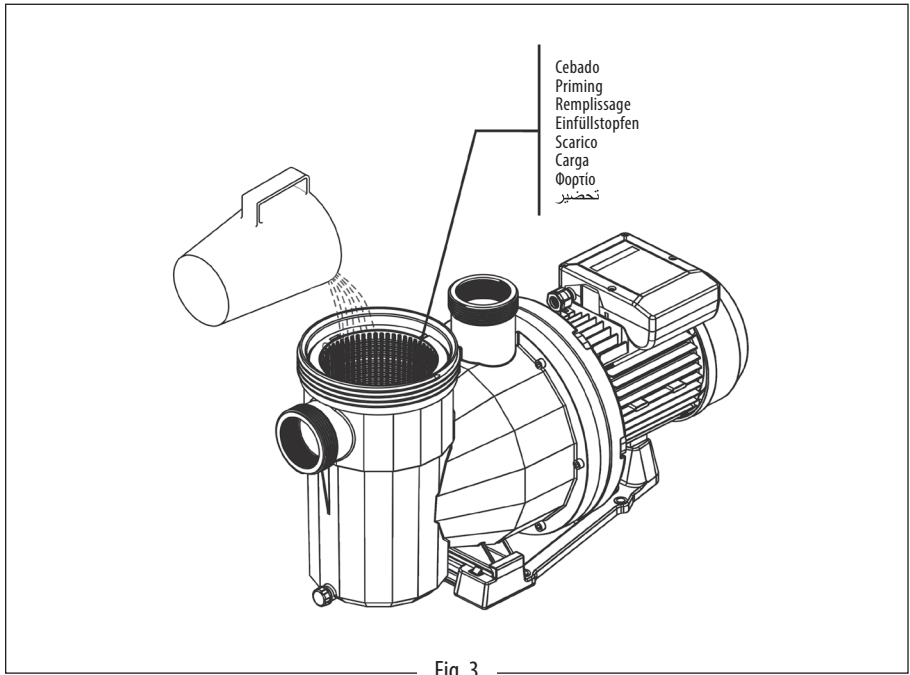


Fig. 3

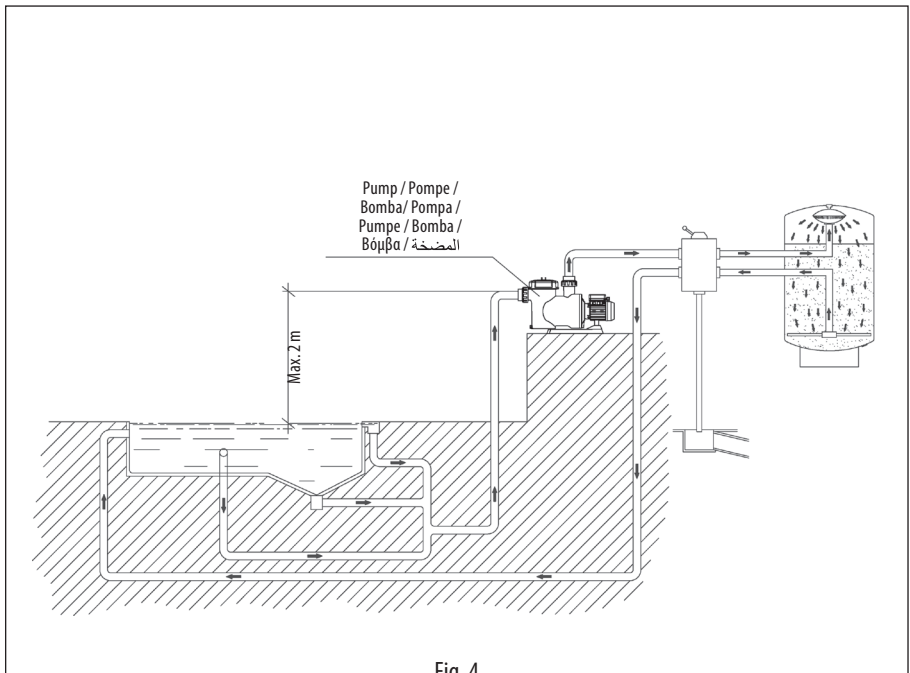


Fig. 4

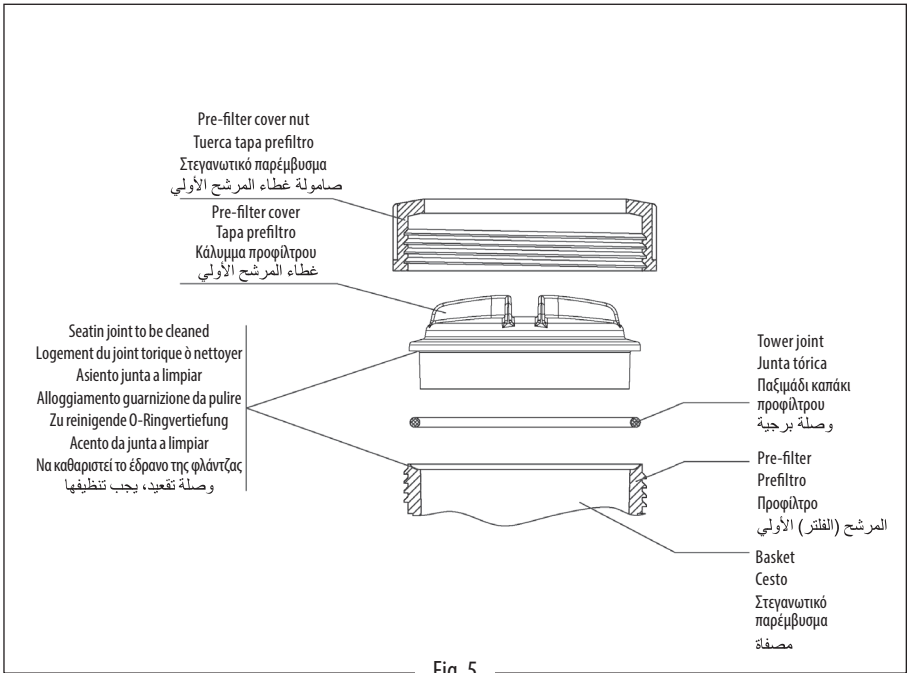


Fig. 5

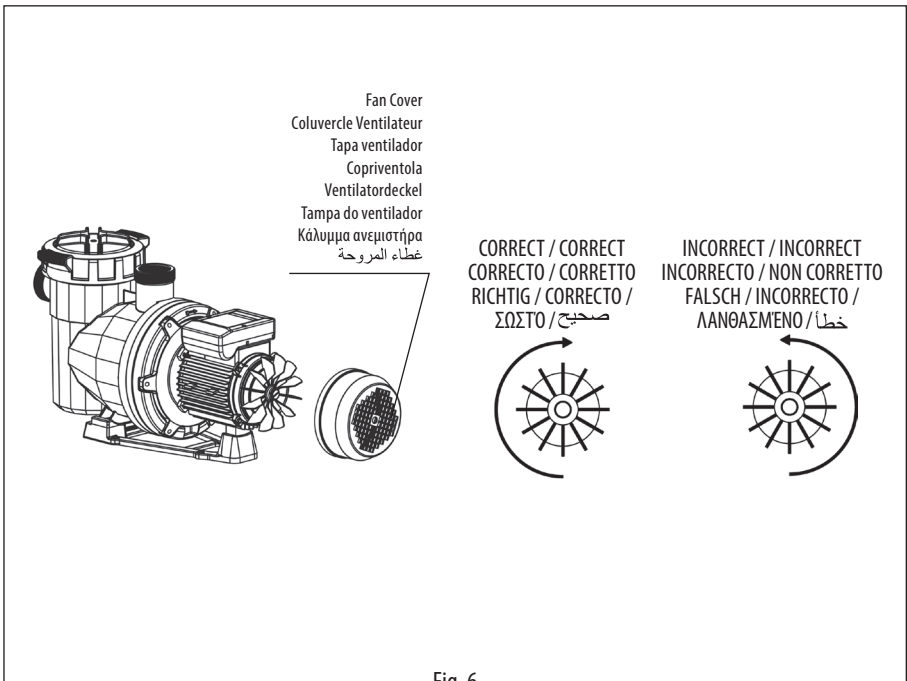
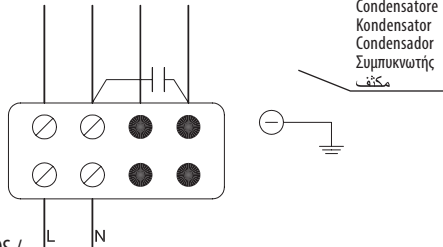


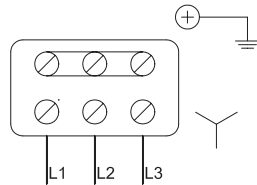
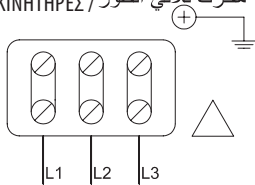
Fig. 6

SINGLE PHASE MOTORS / MOTEURS MONOPHASES
 MOTORES MONOFÁSICOS / MOTORI MONOFASE
 EINPHASIGE MOTOREN / MOTORES MONOFASICOS /
 ΛΕΙΠΟΜΕΡΕΙΑ ΑΓΚΙΣΤΡΟΥ / محرك أحادي الطور

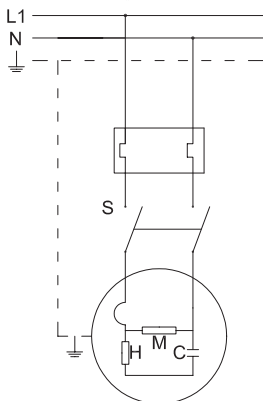
Condensator
 Condensateur
 Condensador
 Condensatore
 Kondensator
 Condensador
 Συμπυκνωτής
 مكثف



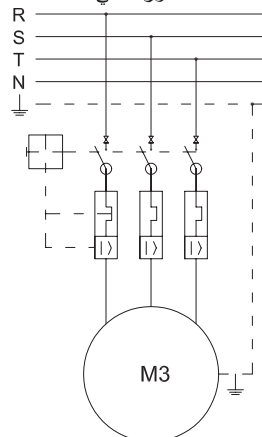
E PHASE MOTORS / MOTEURS TRIPHASES
 MOTORES TRIFÁSICOS / MOTORI TRIFASE
 DREINPHASE MOTOREN / MOTORES TRIFASICOS /
 ΤΡΙΦΑΣΙΚΟΙ ΚΙΝΗΤΗΡΕΣ / محرك ثلاثي الطور



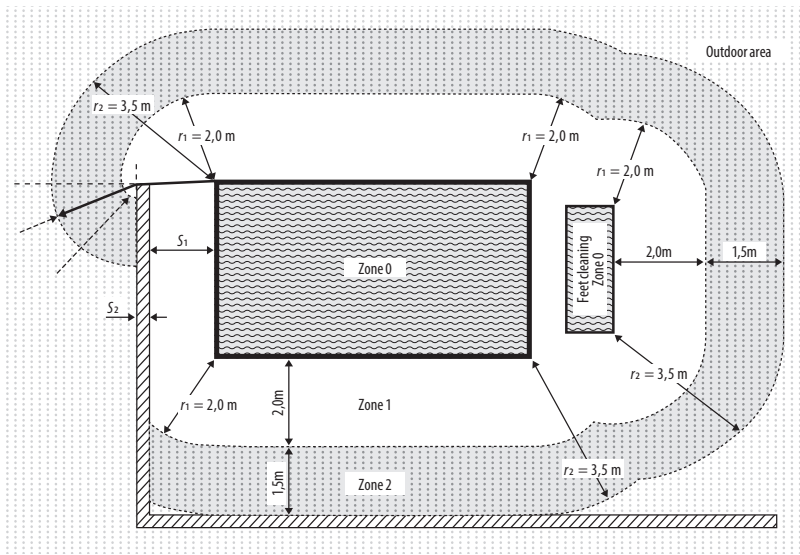
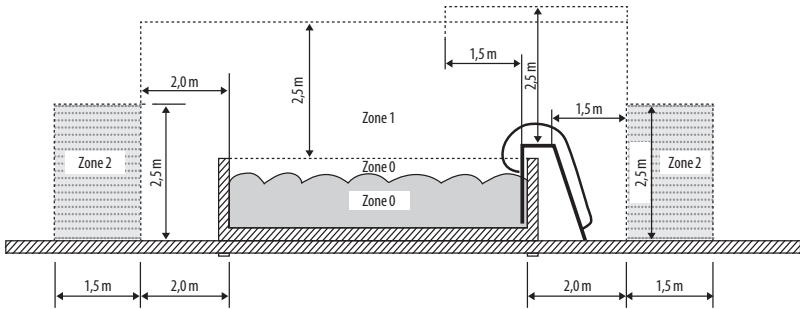
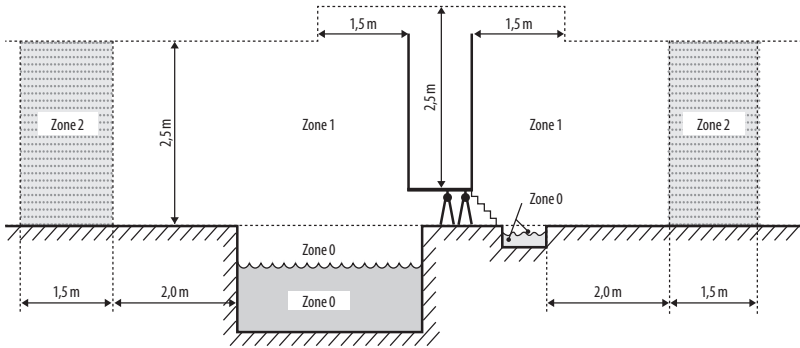
SINGLE PHASE / MONOPHASES
 MONOFÁSICOS / MONOFASE
 EINPHASIG / MONOFASICOS /
 ΛΕΙΠΟΜΕΡΕΙΑ ΑΓΚΙΣΤΡΟΥ
 محرك ثلاثي الطور



THREE PHASE / TRIPHASES
 TRIFÁSICOS / TRIFASE
 DREINPHASIG / TRIFASICOS /
 ΤΡΙΦΑΣΙΚΟΙ ΚΙΝΗΤΗΡΕΣ
 طور ثلاثي



INSTALLATION ZONES - Areas highlighted: the pump may be installed here / ZONES D'INSTALLATION - Espaces mentionnés : la pompe peut y être installée
 ZONAS DE INSTALACIÓN - Zonas marcadas: la bomba puede instalarse aquí / ZONE DI INSTALLAZIONE - Aree evidenziate: qui è possibile installare la pompa
 INSTALLATIONSBEREICHE - Markierte Bereiche: hier darf die Pumpe installiert werden / ZONAS DE INSTALAÇÃO - Zonas destacadas: a bomba pode ser instalada aqui
 ΖΩΝΕΣ ΕΓΚΑΤΑΣΤΑΣΗΣ - Περιοχές που επισημαίνονται: η αντλία μπορεί να εγκατασταθεί εδώ / المناطق الملاحظة: يمكن تركيب المضخة هنا - مناطق التركي



GUARANTEE CERTIFICATE

1. GENERAL TERMS

- 1.1. In accordance with this provisions, the seller guarantees that the Astral Product corresponding to this guarantee ("The Product") doesn't have any default in conformity at this time of delivery.
- 1.2. The guarantee term for the product is three (3) years and will be calculate from the date of delivery to the purchaser .
- 1.3. In the event of any default in conformity of the product and the purchaser notifies the seller of such default during the guarantee period, the seller is obliged to repair o replace the Product at its own cost in the place that he consider convenient, unless it is impossible or disproportionate.
- 1.4. When it is not possible to repair or replace , the purchaser may request a proportional reduction in the price, or, if the default in conformity is sufficient significant , the termination of the contract.
- 1.5. The parts replaced or repaired under this guarantee will not extend the guarantee term of the Product, although will have their own guarantee.
- 1.6. In order for this guarantee to come into effect, the purchaser must prove the date of acquisition and delivery of the Product.
- 1.7. If after six months from the delivery of the Product to the purchaser , a default of the conformity of the product is notified, the purchaser must prove the origin and existence of said defect.
- 1.8. This Guarantee Certificate does not limit or prejudge the rights corresponding to the consumers by virtue of national compulsory standards.

2. INDIVIDUAL TERMS

- 2.1. This Guarantee covers the following AstralPool products and product ranges: "Victoria Plus Silent".
- 2.2. This Guarantee Certificate will be applicable in countries of the European Union. Any country outside the European Union may be subject to minimum internal guarantee requirements.
- 2.3. In order for this guarantee to be effective the purchaser must strictly follow the manufacturer's instructions included in the documentation accompanying the Product, if said documentation is applicable depending on the range and model of the Product.
- 2.4. When a schedule is given to replace, maintain or clean certain parts or components of the Product, the guarantee will only be valid if this schedule has been followed correctly.

3. LIMITATIONS

- 3.1. This guarantee will apply exclusively to sales made to consumers. A "consumer", is understood to be the person who acquires the Product for purposes not connected with his professional activity.
- 3.2. No guarantee is given for the normal wear through using the product. With regard to parts, components and/or expendable equipment such as mechanical seals, bearings and water tightness, the documentation accompanying the product will be applicable, as the case may be.
- 3.3. The guarantee does not cover accessory elements of the product "Victoria Plus Silent" not explicitly included on it, such as panel board, converter, protection devices, etc.
- 3.4. The guarantee covers Product's failures originated only and exclusively by materials defect and/or performance works. The guarantee doesn't cover cases such us the Product: (I) has been object of an incorrect handling; (II) has been installed, repaired, maintained or manipulated for an non-authorized person or (III) has been repaired or maintained with non original spares. It's out of the present guarantee the slight damages originated by accidental tears or inadequate as:
 - Pump working without water
 - Incorrect dosification of chemical products on the swimming pool
 - Water damage originate in external elements to the pumping conditions.
 - Inadequate ventilation
 - Use in different applications of swimming pool water filtration.
- 3.5. The guarantee does not cover cases of incorrect installation or start-up unless said installation or start-up is included in the sales contract of the Product and has performed by the seller or under his responsibility. This cases are covered by the installer or the seller who installed the product.

CERTIFICAT DE GARANTIE

1. ASPECTS GENERAUX

- 1.1. Conformément à ces dispositions, le vendeur garantit que le produit Astral correspondant à cet garant ("le Produit") ne présente pas aucun défaut de conformité au moment de sa livraison.
- 1.2. Le Période de Garantie pour le produit est de trois (3) ans et elle sera calculée à partir de la date de remise à l'acheteur.
- 1.3. S'il se produisait un défaut de conformité du Produit et si l'acheteur le notifiait au vendeur pendant le Période de Garantie, le vendeur devrait réparer ou remplacer le Produit, à ses propres frais au lieu qu'il jugerait opportun, à moins que cela soit impossible ou disproportionné.
- 1.4. Lorsque le Produit ne pourra être ni réparé ni remplacé, l'acheteur pourra demander une réduction proportionnelle du prix ou, si le défaut de conformité est suffisamment important, la résolution du contrat de vente.
- 1.5. Les pièces remplacées ou réparées en vertu de cette garantie ne prolongeront pas le délai de la garantie du produit original, celles-ci étant cependant couvertes par leur propre garantie.
- 1.6. Pour l'effectivité de la présente garantie, l'acheteur devra justifier la date d'acquisition et de livraison du Produit.
- 1.7. Quand plus de six (6) mois se seront écoulés depuis la remise du produit à l'acheteur et que ce dernier alléguera un défaut de conformité de ce Produit, l'acheteur devra justifier l'origine et l'existence du défaut allégué.
- 1.8. Le présent Certificat de Garantie ne limite pas ni préjuge les droits qui correspondent aux consommateurs en vertu des normes nationales de nature impérative.

2. CONDITIONS PARTICULIERES

- 2.1. La présente Garantie couvre les produits et les familles « Victoria Plus Silent » d'AstralPool.
- 2.2. Le présent Certificat de garantie sera exclusivement applicable dans les pays de l'Union européenne. Tout pays en dehors de l'Union européenne est susceptible d'être sujet à des exigences de garantie interne minimale.
- 2.3. En vue de l'efficacité de cette Garantie, l'acheteur devra suivre rigoureusement les indications du Fabricant figurant dans la documentation qui est jointe au Produit, quand celle-ci sera applicable selon la gamme et le modèle du Produit.
- 2.4. Quand un calendrier est spécifié pour le remplacement, la maintenance ou le nettoyage de certaines pièces ou de certains composants du Produit, la Garantie sera valable uniquement lorsque ledit calendrier aura été suivi correctement.

3. LIMITATIONS

- 3.1. La présente Garantie ne sera applicable que dans les ventes réalisées au consommateurs, considérant comme « consommateur » toute personne qui achète le Produit à des fins n'étant pas du domaine de son activité professionnelle.
- 3.2. Aucune garantie n'est concédée pour ce qui a trait à l'usure normale due à l'utilisation du Produit. En ce qui concerne les pièces, les composants et/ou matériels fongibles ou consommables comme des garnitures mécanique, roulements et des éléments d'étanchéité, il faudra respecter ce qui est stipulé dans la documentation qui est jointe au Produit.
- 3.3. Il est hors d'atteinte de la présente Garantie, les éléments accessoires au produit « Victoria Plus Silent » ne pas inclus explicitement avec lui, comme des armoires de manoeuvre, transformateurs, équipes de protection, etc.
- 3.4. Il seront couverts par la Garantie, les failles du Produit causés unique et exclusivement par defect des matériaux et/ou main d'oeuvre. La Garantie ne couvre pas les cas où le produit: (I) a fait l'objet d'un traitement incorrecte ; (II) a été installé, réparé, maintenue ou manipulé par une personne non autorisée ou (III) a été réparé ou maintenue avec des pièces qui ne sont pas d'origine. La présente Garantie ne couvre pas les dommages produits par une utilisation accidentelle ou inappropriée comme:
 - Fonctionnement de la pompe à sec
 - Dosage incorrecte des produits chimiques dans la piscine
 - Dommage de l'eau en provenance des éléments extérieures aux conditions de pompage
 - Ventilation inadéquate
 - Usage dans des applications différentes de la filtration de l'eau dans les piscines
- 3.5. La garantie ne couvre pas le cas où le Produit à fait l'objet d'une installation ou d'une mise en marche incorrectes, à moins que cette installation ou cette mise en marche soient comprises dans le contrat d'achat et de vente du Produit et aient été réalisées par le vendeur ou sous sa responsabilité.

CERTIFICADO DE GARANTÍA

1. ASPECTOS GENERALES

- 1.1. De acuerdo con estas disposiciones, el vendedor garantiza que el producto Astral correspondiente a esta garantía ("el Producto") no presenta ninguna falta de conformidad en el momento de su entrega.
- 1.2. El Período de Garantía para el producto es de tres (3) años y se calculará desde el momento de su entrega al comprador.
- 1.3. Si se produjera una falta de conformidad del Producto y el comprador lo notificase al vendedor durante el Período de Garantía, el vendedor deberá reparar o sustituir el Producto a su propio coste en el lugar donde considere oportuno, salvo que ello sea imposible o desproporcionado.
- 1.4. Cuando no se pueda reparar o sustituir el Producto, el comprador podrá solicitar una reducción proporcional del precio o, si la falta de conformidad es suficientemente importante, la resolución del contrato de venta.
- 1.5. Las partes sustituidas o reparadas en virtud de esta garantía no ampliarán el plazo de la garantía de Producto original, si bien dispondrán de su propia garantía.
- 1.6. Para la efectividad de la presente garantía, el comprador deberá acreditar la fecha de adquisición y entrega del Producto.
- 1.7. Cuando hayan transcurrido más de seis meses desde la entrega del Producto al comprador y éste alegue falta de conformidad de aquél, el comprador deberá acreditar el origen y la existencia del defecto alegado.
- 1.8. El presente Certificado de Garantía no limita o prejuzga los derechos que correspondan a los consumidores en virtud de normas nacionales de carácter imperativo.

2. CONDICIONES PARTICULARES

- 2.1. La presente Garantía cubre los productos de la familia "Victoria Plus Silent" de Astral Pool.
- 2.2. Este Certificado de garantía será aplicable en los países de la Unión Europea. En terceros países el producto estará sujeto a los requisitos mínimos de garantía interna.
- 2.3. Para la eficacia de esta garantía, el comprador deberá seguir estrictamente las indicaciones del Fabricante incluidas en la documentación que acompaña al Producto, cuando ésta resulte aplicable según la gama y modelo del Producto.
- 2.4. Cuando se especifique un calendario para la sustitución, mantenimiento o limpieza de ciertas piezas o componentes del Producto, la garantía solo será válida cuando se haya seguido dicho calendario correctamente.

3. LIMITACIONES

- 3.1. La presente garantía únicamente será de aplicación en aquellas ventas realizadas a consumidores, entendiéndose por "consumidor", aquella persona que adquiere el Producto con fines que no entran en el ámbito de su actividad profesional.
- 3.2. No se otorga ninguna garantía respecto del normal desgaste por uso del producto. En relación con las piezas, componentes y/o materiales fungibles o consumibles como cierres mecánicos, rodamientos y elementos de estanqueidad se estará a lo dispuesto en la documentación que acompañe al Producto, en su caso.
- 3.3. Queda fuera del alcance de la presente garantía los elementos accesorios al producto "Victoria Plus Silent" no incluidos explícitamente con él, tales como armarios de maniobra, transformadores, equipos de protección, etc.
- 3.4. Quedan cubiertos por la garantía aquellos fallos en el producto originados única y exclusivamente por defecto de materiales y/o mano de obra. La garantía no cubre aquellos casos en que el Producto: (I) haya sido objeto de un trato incorrecto; (II) haya sido instalado, reparado, mantenido o manipulado por persona no autorizada o (III) haya sido reparado o mantenido con piezas no originales. Queda fuera del alcance de la presente garantía los desperfectos originados por usos accidentales o inadecuados como:
 - Funcionamiento de la bomba en seco
 - Dosificación incorrecta de los productos químicos en la piscina.
 - Daños de agua procedente de elementos exteriores a las condiciones de bombeo.
 - Ventilación inadecuada.
 - Uso en aplicaciones diferentes de la filtración de agua en piscinas.
- 3.5. Cuando la falta de conformidad del Producto sea consecuencia de una incorrecta instalación o puesta en marcha, la presente garantía sólo responderá cuando dicha instalación o puesta en marcha esté incluida en el contrato de compra-venta del Producto y haya sido realizada por el vendedor o bajo su responsabilidad

CERTIFICATO DI GARANZIA

1. CONDIZIONI GENERALI

- 1.1. D'accordo con queste disposizioni, il venditore garantisce che il prodotto Astral ("il Prodotto") al momento della consegna è assolutamente conforme ai requisiti esposti.
- 1.2. Il Periodo di Garanzia previsto per il prodotto è di tre (3) anni a partire dal momento della consegna all'acquirente.
- 1.3. Nel caso in cui si rilevi un difetto di conformità del Prodotto e l'acquirente lo comunichi al venditore nel Periodo di Garanzia, il venditore dovrà riparare o sostituire il Prodotto facendosi carico delle spese, nel luogo ritenuto opportuno, salvo il caso in cui sia impossibile o spropositato.
- 1.4. Nel caso in cui il Prodotto non possa essere riparato o sostituito, l'acquirente potrà chiedere una riduzione proporzionale nel prezzo; se la mancanza di conformità è abbastanza considerevole, potrà chiedere la risoluzione del contratto di vendita.
- 1.5. La sostituzione o riparazione di alcune parti in virtù di questa garanzia, non darà luogo a un prolungamento del periodo di vigenza della stessa rispetto al Prodotto originale, ma le parti in questione avranno garanzia propria.
- 1.6. Affinché la presente garanzia sia valida, l'acquirente dovrà dimostrare la data d'acquisto nonché consegna del Prodotto.
- 1.7. Trascorsi sei mesi dalla consegna del Prodotto all'acquirente, nel caso in cui quest'ultimo allegli difetto di conformità del medesimo, dovrà dimostrare l'origine e l'esistenza del difetto in questione.
- 1.8. Il presente Certificato di Garanzia non costituisce limitazione o danno dei diritti che spettano ai consumatori, in virtù delle norme nazionali di carattere imperativo.

2. CONDIZIONI PARTICOLARI

- 2.1. La presente Garanzia copre i prodotti della famiglia "Victoria Plus Silent" di AstralPool.
- 2.2. Il presente certificato di garanzia sarà applicabile nei Paesi dell'Unione europea. Qualsiasi Paese al di fuori dell'Unione Europea potrebbe essere soggetto a dei requisiti minimi di garanzia interni.
- 2.3. Perché la presente garanzia sia valida, l'acquirente dovrà seguire strettamente le istruzioni del Fabbricante, incluse nella documentazione che accompagna il Prodotto, sempre che siano applicabili alla gamma e modello del medesimo.
- 2.4. Nel caso in cui si stabilisca un calendario per la sostituzione, manutenzione e pulizia di determinati pezzi ed elementi del Prodotto, la garanzia sarà valida solo se detto calendario sarà stato osservato in maniera corretta.

3. LIMITAZIONI

- 3.1. La presente garanzia sarà valida esclusivamente per le vendite realizzate ai consumatori, intendendo con il termine consumatore colui che acquista il Prodotto per fini che non rientrano nella sfera delle sue attività professionali.
- 3.2. La garanzia non copre in alcun modo l'usura normale, dovuta all'utilizzazione del prodotto. Per quanto riguarda pezzi, elementi e/o materiali deperibili o consumabili tipo chiusure meccaniche, cuscinetti, componenti a tenuta stagna, ci si atterrà a quanto previsto nella documentazione che accompagna il Prodotto, se del caso.
- 3.3. Restano esclusi dalla presente garanzia gli elementi accessori al prodotto "Victoria Plus Silent" che non vengono contemplati in maniera esplicita, come quadri di manovra, trasformatori, attrezzature di protezione, ecc.
- 3.4. Sono coperti dalla garanzia i difetti del prodotto causati unica ed esclusivamente da materiali difettosi e/o dalla manodopera. La garanzia non copre i casi in cui il Prodotto: (I) sia stato oggetto di un trattamento non corretto; (II) sia stato installato, riparato, mantenuto o manipolato da una persona non autorizzata o (III) sia stato riparato o mantenuto con pezzi non originali. Restano esclusi dalla presente garanzia i danni causati da usi accidentali e non adeguati come:
 - Funzionamento della pompa a secco
 - Dosaggio inadeguato dei prodotti chimici nella piscina.
 - Danni provocati dall'acqua proveniente da elementi esterni alle caratteristiche di pompaggio.
 - Ventilazione non idonea.
 - Uso in applicazioni diverse dal filtraggio dell'acqua nelle piscine.
- 3.5. Nel caso in cui la mancanza di conformità del Prodotto sia una conseguenza dell'installazione o dell'avviamento non corretto, la presente garanzia varrà solo se detta installazione o avviamento sono previsti nel contratto di compra-vendita del Prodotto e sono stati effettuati dal venditore o sotto la sua responsabilità.

GARANTIEZERTIFIKAT

1. ALLGEMEINES

- 1.1. In Übereinstimmung mit diesen Bestimmungen garantiert der Verkäufer, dass das Astral Produkt, zu dem diese Garantie gehört ("das Produkt") zum Zeitpunkt der Übergabe nicht vertragswidrig ist.
- 1.2. Der Garantiezeitraum für das Produkt beträgt drei (3) Jahre und beginnt mit der Übergabe des Produktes an den Käufer.
- 1.3. Falls das Produkt vertragswidrig ist und der Käufer dies dem Verkäufer innerhalb des Garantiezeitraumes mitteilt, muss der Verkäufer das Produkt an einem ihm geeignet scheinenden Ort auf eigene Kosten reparieren oder ersetzen, es sei denn, dass diese Abhilfen unmöglich oder unverhältnismässig wären.
- 1.4. Für den Fall, dass das Produkt nicht repariert oder ersetzt werden kann, kann der Käufer eine angemessene Reduzierung des Kaufpreises oder, wenn die Vertragswidrigkeit schwerwiegend ist, die Auflösung des Kaufvertrags verlangen.
- 1.5. Die kraft dieser Garantie ersetzten oder reparierten Teile verlängern den Garantiezeitraum des Originalproduktes nicht, sie können jedoch über eine eigene Garantie verfügen.
- 1.6. Damit diese Garantie gültig ist, muss der Käufer das Kauf- und Übergabedatum des Produktes nachweisen können.
- 1.7. Wenn der Käufer nach Ablauf von mehr als sechs Monaten ab Übergabe des Produktes an ihn eine Vertragswidrigkeit dieses Produktes aufzeigt, muss er die Ursache und die Existenz des angeführten Defektes beweisen.
- 1.8. Dieses Garantiezertifikat schränkt die in den nationalen Rechtsnormen festgelegten zwingenden Rechte der Verbraucher nicht ein, und diese nationalen Normen bleiben von dieser Garantie unberührt.

2. SPEZIELLE BESTIMMUNGEN

- 2.1. Die vorliegende Garantie deckt die Produkte der Produktgruppe "Victoria Plus Silent" von AstralPool ab.
- 2.2. Dieses Garantiezertifikat findet in den Ländern der Europäischen Union Anwendung. Jedes Land außerhalb der Europäischen Union kann internen Mindestgarantieanforderungen unterliegen.
- 2.3. Damit diese Garantie wirksam ist, muss der Käufer den Hinweisen des Herstellers, die in den mitgelieferten Produktunterlagen angeführt sind, Folge leisten, wenn diese Unterlagen, je nach Modell und Produktreihe, für das jeweilige Produkt gelten.
- 2.4. Wenn der Ersatz, die Wartung oder die Reinigung von gewissen Teilen und Komponenten des Produktes in bestimmten Zeitabständen durchgeführt werden müssen, so ist die Garantie nur dann gültig, wenn der genannte Zeitraum korrekt eingehalten worden ist.

3. EINSCHRÄNKUNGEN

- 3.1. Die vorliegende Garantie gilt nur dann, wenn das Produkt an Verbraucher veräussert wurde, wobei unter "Verbraucher" jene Person zu verstehen ist, die das Produkt zu solchen Zwecken erwirbt, die mit ihrer beruflichen Aktivität nichts zu tun haben.
- 3.2. Bei normalem Verschleiss aufgrund der Verwendung des Produktes wird keine Garantie gewährt. Wenn der Fall auftritt, geht in Verbindung mit Teilen, Komponenten und/oder Ersatz- oder Verbrauchsmaterialien, wie Schössern, Lagern und Dichtungselementen das in den mitgelieferten Produktunterlagen Angeführte vor.
- 3.3. Die Zubehörelemente für "Victoria Plus Silent", wie beispielsweise Schaltschränke, Transformatoren, Schutzausrüstungen, etc., sind in der vorliegenden Garantie nicht eingeschlossen, ausser dann wenn sie ausdrücklich anführt sind.
- 3.4. Es fallen nur die Mängel unter die Garantie, die einzig und allein durch Materialdefekte und/oder Arbeitskräfte verursacht wurden. Die Garantie deckt die Fälle nicht ab, in denen das Produkt: (I) unsachgemäss verwendet, (II) von nicht autorisierten Personen installiert, repariert und gewartet oder manipuliert oder (III) mit nicht Originalteilen repariert oder gewartet wurde. Nicht von der Garantie abgedeckt sind die Defekte, die durch den versehentlichen oder unsachgemässen Gebrauch entstehen, wie beispielsweise:
 - Verwendung der Pumpe im Trockenen.
 - Falsche Dosierung der chemischen Produkte im Schwimmbad.
 - Wasserschäden, die durch Umstände hervorgerufen werden, die nicht den Förderleistungen der Pumpe zuzuschreiben sind.
 - unzureichende Belüftung.
 - Verwendung in einem anderen Bereich, als dem der Wasserfilterung in Schwimmbädern.
- 3.5. Wenn die Vertragswidrigkeit des Produktes eine Folge der falschen Installation oder Inbetriebnahme ist, so ist die Garantie nur wirksam, wenn die genannte Installation oder Inbetriebnahme im Kaufvertrag des Produktes eingeschlossen ist und vom Verkäufer, bzw. unter seiner Verantwortlichkeit vorgenommen wurde.

CERTIFICADO DE GARANTIA

1. ASPECTOS GERAIS

- 1.1. De acordo com estas disposições, o vendedor garante que o produto Astral correspondente a esta garantia ("o Produto") não apresenta nenhuma falta de conformidade no momento da sua entrega.
- 1.2. O Período de Garantia para o produto é de três (3) anos e é calculado desde o momento da sua entrega ao comprador.
- 1.3. Se se produzir uma falta de conformidade do Produto e o comprador a notificar ao vendedor durante o Período de Garantia, o vendedor deverá reparar ou substituir o Produto à sua própria custa no lugar que considere oportuno, salvo se isso for impossível ou desproporcionado.
- 1.4. Quando não se possa reparar ou substituir o Produto, o comprador poderá pedir uma redução proporcional do preço ou, se a falta de conformidade é suficientemente importante, a resolução do contrato de venda.
- 1.5. As partes substituídas ou reparadas em virtude desta garantia não ampliarão o prazo da garantia do Produto original, embora disponham da sua própria garantia.
- 1.6. Para a efectividade da presente garantia, o comprador deverá acreditar a data de aquisição e entrega do Produto.
- 1.7. Quando tenham transcorrido mais de seis meses desde a entrega do Produto ao comprador e este alegue falta de conformidade daquele, o comprador deverá acreditar a origem e a existência do defeito alegado.
- 1.8. O presente Certificado de Garantia não limita ou pré-julga os direitos que correspondam aos consumidores em virtude de normas nacionais de carácter imperativo.

2. CONDIÇÕES PARTICULARES

- 2.1. A presente Garantia cobre os produtos da família "Victoria Plus Silent" de AstralPool.
- 2.2. Este Certificado de Garantia será válido em países da União Europeia. Qualquer país fora da União Europeia poderá estar sujeito a requisitos mínimos de garantias internas.
- 2.3. Para a eficácia desta garantia, o comprador deverá seguir rigorosamente as indicações do Fabricante incluídas na documentação que acompanha o Produto, quando esta resulte aplicável segundo a gama e modelo do Produto.
- 2.4. Quando se especificar um calendário para a substituição, manutenção ou limpeza de certas peças ou componentes do Produto, a garantia só será válida quando se tenha seguido correctamente o referido calendário.

3. LIMITAÇÕES

- 3.1. A presente garantia só será de aplicação nas vendas realizadas a consumidores, entendendo-se por "consumidor", aquela pessoa que adquira o Produto com fins que não entram no âmbito da sua actividade profissional.
- 3.2. Não se outorga nenhuma garantia a respeito do normal desgaste por uso do produto. Em relação com as peças, componentes e/ou materiais fungíveis ou consumíveis como fechos mecânicos, rolamentos e elementos de estancidade se estará de acordo com o disposto na documentação que acompanhe o Produto, no seu caso.
- 3.3. Ficam fora do alcance da presente garantia os elementos acessórios ao produto "Victoria Plus Silent" não incluídos explicitamente com ele, tais como armários de manobra, transformadores, equipamentos de protecção, etc.
- 3.4. Estão cobertos pela garantia as falhas no produto originadas única e exclusivamente por defeito de materiais e/ou mão de obra. A garantia não cobre aqueles casos em que o Produto: (I) tenha sido objecto de um tratamento incorrecto; (II) tenha sido instalado, reparado, mantido ou manipulado por pessoa não autorizada ou (III) tenha sido reparado ou mantido com peças não originais. Fica fora do alcance da presente garantia as deteriorações originadas por usos acidentais ou inadequados como:
 - Funcionamento da bomba em seco
 - Dosagem incorrecta dos produtos químicos na piscina.
 - Danos de água procedente de elementos exteriores às condições de bombeamento.
 - Ventilação inadequada.
 - Uso em aplicações diferentes da filtragem de água em piscinas.
- 3.5. Quando a falta de conformidade do Produto seja consequência de uma incorrecta instalação ou início de funcionamento, a presente garantia só responderá quando a referida instalação ou início de funcionamento estiver incluída no contrato de compra-venda do Produto e tenha sido realizada pelo vendedor ou sob a sua responsabilidade.

ΠΙΣΤΟΠΟΙΗΤΙΚΟ ΕΓΓΥΗΣΗΣ

1. ΓΕΝΙΚΑ ΣΗΜΕΙΑ

- 1.1. Σύμφωνα με τις διατάξεις αυτές, ο πωλητής εγγυάται ότι αυτό το προϊόν Astral που αντιστοιχεί σε αυτή την εγγύηση (το "Προϊόν") δεν έχει καμία έλλειψη συμμόρφωσης κατά τη στιγμή της παράδοσης.
- 1.2. Η περίοδος εγγύησης για το προϊόν είναι τρία (3) έτη και υπολογίζεται από την στιγμή της παράδοσης στον αγοραστή.
- 1.3. Εάν παρουσιαστεί μια έλλειψη συμμόρφωσης του προϊόντος και ο αγοραστής το αναφέρει στον πωλητή κατά τη διάρκεια της Περιόδου της Εγγύησης, ο πωλητής οφείλει να επισκευάσει ή να αντικαταστήσει το Προϊόν με δικιά του έξοδα, στο σημείο όπου κρίθηκε σκόπιμο, εκτός αν αυτό είναι αδύνατο ή δυσανάλογο.
- 1.4. Όταν δεν μπορεί να επισκευάσει ή να αντικαταστήσει το Προϊόν, ο αγοραστής μπορεί να ζητήσει ανάλογη μείωση της τιμής ή, εάν η έλλειψη συμμόρφωσης είναι αρκετά σημαντική, την καταγγελία του πωλητήριου συμβολαίου.
- 1.5. Τα αντικατεστημένα ή επισκευασμένα μέρη, βάσει της παρούσας εγγύησης δεν θα παρατείνουν την περίοδο της εγγύησης του αρχικού Προϊόντος, αλλά θα έχουν την δική τους εγγύηση.
- 1.6. Για την αποτελεσματικότητα αυτής της εγγύησης, ο αγοραστής πρέπει να αποδείξει την ημερομηνία αγοράς και την παράδοση του Προϊόντος.
- 1.7. Όταν έχουν περάσει πάνω από έξι μήνες από την παράδοση του Προϊόντος στον αγοραστή και αυτός ισχυρίζεται έλλειψη συμμόρφωσης, ο αγοραστής θα πρέπει να αποδείξει την προέλευση και την ύπαρξη του υποτιθέμενου ελαττώματος.
- 1.8. Το παρόν Πιστοποιητικό Εγγύησης δεν περιορίζει ή προδικάζει τα δικαιώματα που αντιστοιχούν στους καταναλωτές στο πλαίσιο των εθνικών προτύπων.

2. ΕΙΔΙΚΟΙ ΟΡΟΙ

- 2.1. Η παρούσα εγγύηση καλύπτει προϊόντα της οικογένειας "Victoria Plus Silent" της AstralPool.
- 2.2. Αυτό το Πιστοποιητικό Εγγύησης ισχύει στις χώρες της Ευρωπαϊκής Ένωσης. Οι χώρες εκτός Ευρωπαϊκής Ένωσης ενδεχομένως να υπόκεινται σε απαιτήσεις ελάχιστης εσωτερικής εγγύησης.
- 2.3. Για την αποτελεσματικότητα αυτής της εγγύησης, ο αγοραστής πρέπει να ακολουθήσει αυστηρά τις οδηγίες του κατασκευαστή που περιλαμβάνονται στην τεκμηρίωση που συνοδεύει το Προϊόν, όπου αυτό είναι δυνατό, σύμφωνα με το εύρος και το μοντέλο του Προϊόντος.
- 2.4. Όταν προσδιορίζεται ένα χρονοδιάγραμμα για την αντικατάσταση, συντήρηση ή τον καθαρισμό ορισμένων μερών ή εξαρτημάτων του Προϊόντος, η εγγύηση ισχύει μόνο όταν αυτό το χρονοδιάγραμμα έχει ακολουθηθεί σωστά.

3. ΠΕΡΙΟΡΙΣΜΟΙ

- 3.1. Η παρούσα εγγύηση αυτή θα ισχύει για τις πωλήσεις που πραγματοποιήθηκαν στους καταναλωτές, καταναώντας ως «καταναλωτή», εκείνο το πρόσωπο που αποκτά το Προϊόν για σκοπούς που δεν εμπίπτουν στο πεδίο της επαγγελματικής του δραστηριότητας.
- 3.2. Δεν παρέχεται καμία εγγύηση σε σχέση με την κανονική φθορά κατά την χρήση του προϊόντος. Αναφορικά με εξαρτήματα, ανταλλακτικά ή/και φθαρά ή αναλώσιμα υλικά, όπως μηχανικές φλάντζες, έδρανα και οι δακτύλιοι στεγανοποίησης θα ισχύει όπως προβλέπεται στην τεκμηρίωση που συνοδεύει το Προϊόν, εάν υπάρχει.
- 3.3. Μένουν εκτός του πεδίου εφαρμογής της παρούσης εγγύησης τα αξεσουάρ στο προϊόν "Victoria Plus Silent" που δεν περιλαμβάνονται ρητά με αυτό, όπως πίνακες ελέγχου, μετασχηματιστές, διατάξεις προστασίας, κλπ.
- 3.4. Καλύπτονται από την εγγύηση μόνο εκείνα τα ελαττώματα στο προϊόν προερχόμενα αποκλειστικά από ελαττώματα στο υλικό ή/και στα εργατικά. Η εγγύηση δεν καλύπτει τις περιπτώσεις όπου το Προϊόν: (I) αποτέλεσε αντικείμενο ακατάλληλης χρήσης, (II) έχει εγκατασταθεί, επισκευαστεί, συντηρηθεί ή μετατραπεί από μη εξουσιοδοτημένο άτομο, ή (III) έχει επισκευαστεί ή συντηρηθεί με μη αυθεντικά εξαρτήματα. Μένουν εκτός του πεδίου εφαρμογής της παρούσας εγγύησης όλες οι ζημιές που έχουν προκληθεί από λανθασμένες ή αθέμιτες χρήσεις, όπως:
 - Η αντλία να λειτουργεί δίχως νερό.
 - Λανθασμένη δοσολογία των χημικών ουσιών στην πισίνα.
 - Βλάβη από το νερό από εξωτερικά στοιχεία από τις συνθήκες άντλησης.
 - Ανεπαρκής αερισμός.
 - Χρήση σε διαφορετικές εφαρμογές από του φιλτραρίσματος νερού σε πισίνες.
- 3.5. Όταν η έλλειψη συμμόρφωσης του προϊόντος είναι αποτέλεσμα ακατάλληλης εγκατάστασης ή κακής θέσης σε λειτουργία, η εγγύηση αυτή θα ισχύει μόνο όταν η εν λόγω εγκατάσταση ή αρχική εκκίνηση περιλαμβάνεται στο πωλητήριο συμβόλαιο του προϊόντος και έχει πραγματοποιηθεί από τον πωλητή ή υπό την ευθύνη του.

شهاد الضمان

1. الشروط العامة

- 1.1 طبقاً لهذه الأحكام، يضمن البائع أن منتج شركة المشمول بهذا الضمان («المنتج») خال من أي عيب في المطابقة في وقت التسليم Astral.
- 1.2 مدة ضمان المنتج هي ثلاث (3) سنوات ويتم احتسابها من تاريخ التسليم إلى المشتري .
- 1.3 في حالة وجود أي عيب في مطابقة المنتج وعند قيام المشتري بإخطار البائع بهذا العيب في فترة الضمان، يجب على البائع إصلاح أو استبدال المنتج على نفقته الخاصة في المكان الذي يعتبره البائع مناسباً إلا إذا كان ذلك مستحيلًا أو غير متناسب.
- 1.4 عند استحالة إصلاح أو استبدال المنتج، يجوز للمشتري طلب الحصول على خفض متناسب في السعر أو إنهاء العقد في حالة وجود عيب بالغ بدرجة كافية.
- 1.5 لا تزيد مدة ضمان القطع التي يتم استبدالها أو إصلاحها بموجب هذا الضمان عن مدة ضمان «المنتج»، على الرغم من وجود ضمان منفصل للقطع المذكورة.
- 1.6 من أجل أن يسري هذا الضمان، يجب أن يثبت المشتري تاريخ حيازة وتسليم المنتج.
- 1.7 إذا تم الإبلاغ عن عيب في مطابقة المنتج بعد ستة أشهر من تسليم المنتج إلى المشتري فيجب أن يثبت المشتري منشأ ووجود هذا العيب.
- 1.8 لا تحد أو تخل شهادة الضمان هذه بالحقوق الممنوحة للمستهلك بموجب المعايير الوطنية الإلزامية.

2. أحكام فردية

- 2.1 "Victoria Plus Silent": التالية AstralPool يغطي هذا الضمان منتجات ومجموعات منتجات شركة.
- 2.2 ستكون شهادة الضمان هذه سارية في دول الاتحاد الأوروبي. قد تخضع أي دولة خارج الاتحاد الأوروبي للحد الأدنى من متطلبات الضمان الداخلي.
- 2.3 من أجل أن يسري هذا الضمان، يجب أن يتبع المشتري حريئاً إرشادات الشركة المصنعة الواردة في الوثائق المصاحبة للمنتج، إذا كانت هذه الوثائق منطبقة وفقاً للمجموعة وطراز المنتج.
- 2.4 في حالة توفير جدول زمني لاستبدال أو صيانة أو تنظيف قطع أو مكونات معينة من المنتج فإن الضمان يسري فقط إذا تم الالتزام بهذا الجدول على نحو صحيح.

3. القيود

- 3.1 ينطبق هذا الضمان حصرياً على المبيعات التي تتم إلى المستهلكين. والمفهوم أن «المستهلك» هو الشخص الذي يحمي المنتج لأغراض لا ترتبط بنشاطه المهني.
- 3.2 ليس هناك ضمان يتم منحه مقابل البلي العادي الناتج عن استخدام المنتج. وفيما يتعلق بالقطع و/ أو المكونات و/ أو المعدات المستهلكة. مثل موانع التسرب الميكانيكية والمحامل (الروملانيلي) وعدم نفاذية الماء، تنطبق الوثائق المصاحبة للمنتج حسب الحالة.
- 3.3 التي لا تكون مضمنة صراحة فيه، مثل بطاقة «Victoria Plus Silent» ٣،٣. لا يغطي هذا الضمان عناصر ملحقات (إكسسوارات) المنتج. اللوحة والمحول العكسي وأجهزة الحماية.
- 3.4 يغطي هذا الضمان حالات فشل (أعطال) المنتج التي تنشأ فقط وحصرياً بسبب عيب المواد و/ أو الأداء. ولكنه لا يغطي حالات كالتالي يكون فيها المنتج: (1) قد خضع لمناولة غير صحيحة؛ أو (2) تم تركيبه أو إصلاحه أو صيانته أو العمل به من شخص غير مصرح له؛ أو (3) تم إصلاحه أو صيانته بقطع غير أصلية. ولا يشمل الضمان الحالي الأضرار البسيطة التي تنشأ عن التمرقات العارضة أو عدم الإيفاء بالغرض مثل عمل المضخة بدون ماء •
(التحديد غير الصحيح لجرعات المنتجات الكيماوية بالمسبح (حمام السباحة) •
أضرار الماء التي تنشأ في عناصر خارجية عن ظروف الضخ •
عدم كفاية وملاءمة التهوية •
الاستخدام في تطبيقات مختلفة لترشيح (فلتر) ماء المسبح •
- 3.5 لا يغطي الضمان حالات التركيب بدء التشغيل غير الصحيح ما لم يكونا مشمولين في عقد بيع المنتج وقام بهما البائع أو تحت مسؤوليته. وهذه الحالات يغطيها القائم بالتركيب أو البائع الذي قام بتركيب المنتج.

ASTRAL VICTORIA PLUS SILENT PUMP SPECIFICATIONS

PRODUCT AND ACCESSORIES DESCRIPTION

The body of the pump is made of the latest generation thermoplastics. The pumps are self-priming and range from 0.50 HP up to 3 HP, and are provided with both single-phase and three-phase motors. A pre-filter has been integrated into the body of the pump to prevent the entry of any foreign bodies which could cause damage to the hydraulic parts of the pump.

The motors supplied with the motor pump unit have been protected with IP-X5 protection and are adapted to withstand hot atmospheres and high humidity levels.

PRESTATIONS OFFERTES PAR LES POMPES ASTRAL VICTORIA PLUS SILENT

DESCRIPTION DU PRODUIT ET DE SES ACCESSOIRES

Les pompes, auto-aspirantes, sont fournies aussi bien avec des moteurs monophasés que triphasés, de 0,50 CV à 3 CV. Le corps de la pompe, en thermoplastiques de toute dernière génération, incorpore un préfiltre qui permet d'éviter la pénétration de corps étrangers et l'endommagement des parties hydrauliques de la pompe.

Le degré de protection des moteurs livrés avec l'ensemble moteur-pompe est IP-X5 ; ils sont conçus pour supporter les températures et niveaux d'humidité élevés.

PRESTACIONES DE LAS BOMBAS ASTRAL VICTORIA PLUS SILENT

DESCRIPCIÓN DEL PRODUCTO Y SUS ACCESORIOS

El cuerpo de la bomba está construido con termoplásticos de última generación. Las bombas son autoaspirantes de 0,50 CV hasta 3 CV, y se proporcionan tanto con motores monofásicos como trifásicos. En el cuerpo de la bomba se ha integrado un prefiltro para evitar la entrada de objetos extraños que pudieran dañar las partes hidráulicas de la bomba.

Los motores que se suministran con el conjunto motor bomba han sido protegidos con IP-X5 y acondicionados para soportar ambientes calurosos y niveles de humedad elevados.

PRESTAZIONI DELLE POMPE ASTRAL VICTORIA PLUS SILENT

DESCRIZIONE DEL PRODOTTO E ACCESSORI

Il corpo della pompa è realizzato in materiali termoplastici di ultima generazione. Le pompe sono autoaspiranti e vanno da 0,50 CV a 3 CV; vengono fornite sia con motori monofase che con motori trifase. Nel corpo della pompa è integrato un prefiltro che evita la penetrazione di corpi estranei che potrebbero danneggiare gli elementi idraulici della pompa.

I motori forniti con il gruppo motore-pompa presentano la classe di protezione IP-X5 e sono in grado di resistere ad ambienti caldi e ad elevati livelli di umidità.

MERKAMLE DER PUMPEN ASTRAL VICTORIA PLUS SILENT**PRODUKTBESCHREIBUNG UND ZUBEHÖR**

Das Pumpengehäuse besteht aus Thermoplasten der neuesten Generation. Es sind selbstansaugende Pumpen, die 0,50 PS bis 3 PS leisten und mit Einphasen- und Dreiphasenmotoren geliefert werden können. Im Pumpengehäuse ist ein Vorfilter eingebaut, um das Eindringen von Fremdkörpern zu verhindern, die die Wasser führenden Teile der Pumpe beschädigen könnten.

Die Motoren, die in der Baugruppe Pumpe-Motor geliefert werden, erfüllen die Schutzklasse IP-X5 und sind für heiße Umgebungen und hohe Luftfeuchtigkeit ausgelegt.

PRESTAÇÕES DAS BOMBAS ASTRAL VICTORIA PLUS SILENT**DESCRIÇÃO DO PRODUTO E DOS SEUS ACESSÓRIOS**

O corpo da bomba é construído com termoplásticos de última geração. As bombas auto-aspirantes debitam uma potência desde 0,50 CV a 3 CV, e são disponibilizadas com motores monofásicos ou trifásicos. No corpo da bomba foi integrado um pré-filtro para evitar a entrada de objectos estranhos que poderiam danificar as partes hidráulicas da bomba.

Os motores fornecidos com o conjunto motor-bomba foram protegidos de acordo com a norma IP-X5 e acondicionados para suportar ambientes quentes e níveis de humidade elevados.

ΑΠΟΔΟΣΗ ΤΩΝ ΑΝΤΛΙΩΝ ASTRAL ΑΝΤΛΙΑ VICTORIA PLUS SILENT**ΠΕΡΙΓΡΑΦΗ ΤΟΥ ΠΡΟΙΟΝΤΟΣ ΚΑΙ ΕΞΑΡΤΗΜΑΤΩΝ ΣΤΑ ΕΛΛΗΝΙΚΑ**

Το σώμα της αντλίας κατασκευάζεται με θερμοπλαστικά τελευταίας γενιάς. Οι αντλίες αυτόματης αναρρόφησης από 0,50 HP έως 3 HP είναι διαθέσιμα σε μονοφασικούς και τριφασικούς κινητήρες. Το σώμα της αντλίας έχει ενσωματωμένο προφίλτρο που αποτρέπει την είσοδο σωματιδίων που μπορούν να προκαλέσουν ζημιές στα υδραυλικά μέρη της αντλίας.

Οι κινητήρες που συνοδεύουν το κινητήρα αντλίας έχουν προστασία IP-X5 και είναι ειδικά προσαρμοσμένα για θερμά και υγρά περιβάλλοντα.

المواصفات مضخة ASTRAL VICTORIA PLUS SILENT - وصف المنتج والملحقات العربية

إن بدن المضخة مصنوع من أحدث جيل من اللدائن الحرارية؛ وتتميز هذه المضخة بأنها ذاتية التحضير وتتراوح قدرتها من 05.0 حصان إلى 3 حصان، ويتم توريدها بمحرك (موتور) أحادي الطور أو ثلاثي الطور. ومدمج في بدنها مرشح (فلتر) أولي لمنع دخول أي أجسام غريبة يمكن أن تتسبب في أضرار للقطع والأجزاء الهيدروليكية للمضخة. والمحرك الذي يتم توريده مع المضخة محمي بموجب تجهيزة بعامل حماية 5X-PI ومصمم لتحمل الأجواء الحارة ومستويات الرطوبة العالية.

CODE:

65557 to 65570 and 65557-XXXX to 65570-XXXX

EVIDENCE OF CONFORMITY / DÉCLARATION DE CONFORMITÉ / DECLARACIÓN DE CONFORMIDAD / DICHIARAZIONE DI CONFORMITÀ / KONFORMITÄTSERLÄRUNG / DECLARAÇÃO DE CONFORMIDADE / ΔΗΛΩΣΗ ΣΥΜΜΟΡΦΩΣΗΣ / دليل المطابقة

- Declares under their own responsibility that all the pumps: **ASTRAL VICTORIA PLUS SILENT, Single-phase and Three-phase**. Manufactured since 08/01/2019, independent of the serial number, are in compliance with:
 - 2006/42/EC Machine Directive Safety prescriptions
 - 2014/35/EU Low voltage directive
 - 2000/14/EC Noise emission directive
 - 2015/863/EU Amending Annex II of 2011/65/EU
 - EN 60335-1:2012/A11:2014
 - EN 60335-2-41:2003/A2:2010
 - EN 62233:2008 EMF measurement of home appliance (human exposure)
 - EN 50581:2012 / EN 63000:2018 RoHS II technical documentation
 - EN ISO 3744:2010 Acoustics
 - Measured sound power level: 58,2 / 65,8 / 70 dBA
 - Guaranteed sound power level: 61 / 66 / 70 dBA
- Declare sous sa seul responsabilité que toutes les pompes model: **ASTRAL VICTORIA PLUS SILENT, Monophasée et Triphasée**. Fabriquées à partir du 08/01/2019, indépendamment du numéro de série, sont conformes avec:
 - Directive de sécurité de machines 2006/42/EC
 - Directive d'équipés de basse tension 2014/35/EU
 - Directive d'émission sonore 2000/14/EC
 - Directive 2015/863/EU modifiant l'annexe II de la directive 2011/65/EU
 - EN 60335-1:2012/A11:2014
 - EN 60335-2-41:2003/A2:2010
 - EN 62233:2008 Mesures des champs EM des appareils électrodomestiques (humaine exposition)
 - Documentation technique normes EN 50581:2012 / EN 63000:2018 RoHS II
 - Norme EN ISO 3744:2010 Acoustique
 - Niveau de puissance acoustique mesuré: 58,2 / 65,8 / 70 dBA
 - Niveau de puissance acoustique garanti: 61 / 66 / 70 dBA
- Declara bajo su única responsabilidad que todas las bombas del tipo: **ASTRAL VICTORIA PLUS SILENT, Monofásicas y Trifásicas**. Producidas a partir del 08/01/2019, independientemente del número de serie, son conformes con:
 - Directiva de seguridad de máquinas 2006/42/EC
 - Directiva de equipos de baja tensión 2014/35/EU
 - Directiva de emisión sonora 2000/14/EC
 - 2015/863/EU que modifica el Anexo II de 2011/65/EU
 - EN 60335-1:2012/A11:2014
 - EN 60335-2-41:2003/A2:2010
 - EN 62233:2008 Medida CEM de electrodomésticos (exposición humana)
 - EN 50581:2012 / EN 63000:2018 RoHS II documentación técnica
 - EN ISO 3744:2010 Acústica
 - Nivel de potencia acústica medida: 58,2 / 65,8 / 70 dBA
 - Nivel de potencia acústica garantizado: 61 / 66 / 70 dBA
- Declara sotto la sua diretta responsabilità che tutte le pompe del tipo: **ASTRAL VICTORIA PLUS SILENT, Monofase e Trifase**. Prodotte a partire dal 08/01/2019, indipendentemente dal numero di serie, sono conformi a:
 - Direttiva sulla sicurezza delle macchine 2006/42/EC.
 - Direttiva apparecchiatura in bassa tensione 2014/35/EU
 - Direttiva sulle emissioni sonore 2000/14/EC
 - 2015/863/EU che modifica l'Allegato II di 2011/65/EU
 - EN 60335-1:2012/A11:2014
 - EN 60335-2-41:2003/A2:2010
 - EN 62233:2008 Misurazione dei CEM di apparecchi domestici (esposizione umana)
 - EN 50581:2012 / EN 63000:2018 RoHS II Documentazione tecnica
 - EN ISO 3744:2010 Acustica
 - Nivel de potencia acústica medida: 58,2 / 65,8 / 70 dBA
 - Nivel de potencia acústica garantizado: 61 / 66 / 70 dBA
- Declares in sole responsibility, that all pumps of type: **ASTRAL VICTORIA PLUS SILENT, Einphasig und Dreiphasig**. Ab 08/01/2019, produziert wurden, unabhängig von der Seriennummer, konform sind mit:
 - Richtlinie 2006/42/EWG über die Sicherheit von Maschinen
 - Richtlinie 2014/35/EWG über die Sicherheit von elektrischen Betriebsmitteln (Niederspannungsrichtlinie)
 - Richtlinie 2000/14/EWG über Geräusch emissionen.
 - 2015/863/EWG zur Änderung von Anhang II von 2011/65/EWG
 - EN 60335-1:2012/A11:2014
 - EN 60335-2-41:2003/A2:2010
 - EN 62233:2008 Messung der EMF von Haushaltgeräten (Exposition von Personen)
 - EN 50581:2012 / EN 63000:2018 RoHS II Technische Dokumentation
 - EN ISO 3744:2010 Akustik
 - Gemessener Schallleistungspegel: 58,2 / 65,8 / 70 dBA
 - Garantierter Schallleistungspegel: 61 / 66 / 70 dBA
- Declara sob sua única responsabilidade que todas as bombas do tipo: **ASTRAL VICTORIA PLUS SILENT, Monofásicas e Trifásicas**. Produzidas a partir de 08/01/2019, independentemente do número de série, são conformes com:
 - Directiva de segurança de máquinas 2006/42/EC
 - Directiva de equipamentos de baixa tensão 2014/35/EU
 - Directiva de emissão sonora 2000/14/EC
 - 2015/863/EU Anexo II de Emendas a 2011/65/EU
 - EN 60335-1:2012/A11:2014
 - EN 60335-2-41:2003/A2:2010
 - EN 62233:2008 Medição EMC de electrodomésticos (exposição humana)
 - EN 50581:2012 / EN 63000:2018 Documentação técnica RoHS II
 - EN ISO 3744:2010 Acústica
 - Nivel de potencia acústica medido: 58,2 / 65,8 / 70 dBA
 - Nivel de potencia acústica garantido: 61 / 66 / 70 dBA
- Δηλώνει, με αποκλειστική του ευθύνη ότι όλες οι αντλίες τύπου: **ASTRAL VICTORIA PLUS SILENT, Μονοφασικές και Τριφασικές**. Κατασκευασμένα από τις 08/01/2019, με διάφορο αριθμό σειράς, πληρούν τα παρακάτω.
 - Οδηγία ασφάλειας μηχανών 2006/42/ΕΚ
 - Οδηγία εκπομπών χαμηλής τάσης 2014/35/ΕΚ
 - Οδηγία ηχητικής εκπομπής 2000/14/ΕΚ
 - 2015/863/ΕΕ που τροποποιεί το Παράρτημα ΙΙ του 2011/65/ΕΕ
 - EN 60335-1: 2012/A11:2014
 - EN 60335-2-41:2003/A2:2010
 - EN 62233:2008 Μέτρηση της ηλεκτρομαγνητικής συμβατότητας των οικιακών συσκευών.
 - Τεχνική τεκμηρίωση EN 50581 / EN 63000 RoHS ΙΙ
 - Ακουστική EN ISO 3744:2010
 - Μετρούμενη στάθμη ηχητικής ισχύος: 58,2 / 65,8 / 70 dBA
 - Εγγυημένο επίπεδο ηχητικής ισχύος: 61 / 66 / 70 dBA
- تعلن ، على مسؤوليتها وحدها ، جميع الضخات من النوع : **ASTRAL VICTORIA PLUS SILENT, أحادية الطور وثلاث مراحل**. مصنوعة من 9102/10/80 ، بأرقام تسلسلية مختلفة ، وبلقون ما يلي .
 - توجيه سلامة المحرك 2006/42/EC .
 - توجيه معدات الجهد المنخفض 2014/35/EC .
 - توجيه نقل الصوت 41/0002/EC .
 - تعديل الاتحاد الأوروبي للملحق الثاني لعام 2011/65/EC / 368/5102 .
 - 4102:11A / 2102 :1-53306 NE .
 - 2102 :1A / 14-2-53306 NE .
 - EN 60335-1: 2012/A11:2014
 - EN 60335-2-41:2003/A2:2010
 - EN 62233:2008 قياس التوافق الكهرومغناطيسي للأجهزة المنزلية.
 - الوثائق الفنية EN ISO 3744:2010 / SHOR 00036 NE / 18505 NE
 - 0102 :4473 OSI NE citsuocA .
 - مستوى قوة الصوت المقاس: 58,2 / 65,8 / 70 dBA ديسيبل
 - مستوى طاقة صوت مضمون: 61 / 66 / 70 dBA ديسيبل

Signed the present conformity evidence / Signe la présente déclaration / Firma la presente declaración / Firma la seguente dichiarazione / Unterzeichnet diese Erklärung / Assina a presente declaração / Υπογράφει την παρούσα δήλωση / التوقيع على دليل المطابقة الحلى:

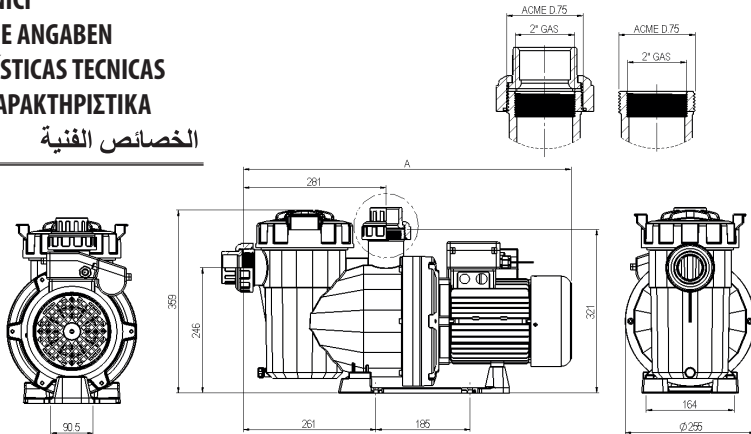
Polinyà, 02/04/2020

Signature / Firma/ Unterschrift / Assinatura

Josep Pausas Ginesta, Managing Director of Metalast S.A.U.

TECHNICAL CHARACTERISTICS
RENSEIGNEMENTS TECHNIQUES
CARACTERÍSTICAS TÉCNICAS
DATI TECNICI
TECHNISCHE ANGABEN
CARACTERÍSTICAS TÉCNICAS
ΤΕΧΝΙΚΑ ΧΑΡΑΚΤΗΡΙΣΤΙΚΑ

الخصائص الفنية



50 Hz	60 Hz	MOTOR					Hmax. (m)	Noise (dBA)	DIMENSIONS (mm)	
		CODE	HP	Phase	P1 (Kw)	Voltage (VAC)			Frame	Overall length "A"
65557	65557 - 0810	1/2	II	0,58	230	C.71	14	61	581	50
65558	65558 - 0810		III	0,55	230 - 400					
65560	65560 - 0810	3/4	II	0,65	230					
65561	65561 - 0810		III	0,82	230 - 400					
65562	65562 - 0810	1	II	0,98	230		17			
65563	65563 - 0810		III	1,02	230 - 400					
65564	65564 - 0810	1 1/2	II	1,46	230	C.80	18	66	615	63
65565	65565 - 0810		III	1,4	230 - 400					
65566	65566 - 0810	2	II	1,85	230					
65567	65567 - 0810		III	1,91	230 - 400					
65569	65569 - 0810	3	II	2,56	230	C.90	21	70	646	75
65570	65570 - 0810		III	2,4	230 - 400					

Cod. 65557-0008 / Rev. 04

- We reserve the right to change all or part of the features of the articles or contents of this document, without prior notice.
- Nous nous réservons le droit de modifier totalement ou en partie les caractéristiques de nos articles ou le contenu de ce document sans préavis.
- Nos reservamos el derecho de cambiar total o parcialmente las características de nuestros artículos o contenido de este documento sin previo aviso.
- Ci riserviamo il diritto di cambiare totalmente o parzialmente le caratteristiche tecniche dei nostri prodotti ed il contenuto di questo documento senza nessun preavviso.
- Wir behalten uns das recht vor, die merkmale unserer produkte und den inhalt dieser beschreibung ohne vorherige unkündigung ganz oder teilweise zu ändern.
- Reservamo-nos no direito de alterar, total ou parcialmente características dos nossos artigos ou o conteúdo deste documento sem aviso prévio.
- Μπορούμε να αλλάζουμε εν όλω ή εν μέρει τα χαρακτηριστικά στα προϊόντα μας ή στο περιεχόμενο του παρόντος χωρίς προειδοποίηση.

نحنفظ بالحق في تغيير كل أو جزء من ميزات المنتجات أو محتويات هذه الوثيقة بدون إشعار مسبق.