

2.25 Elbow 90°

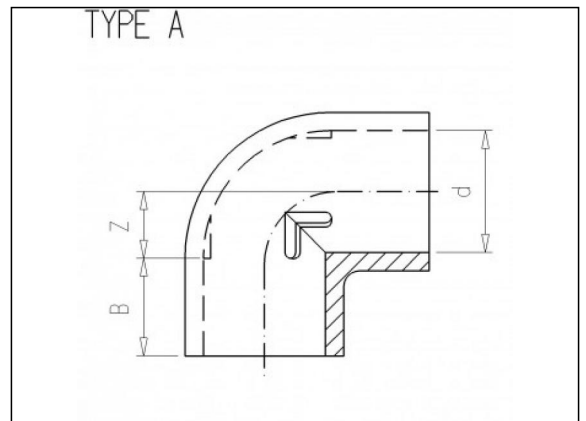
Product information

Material

- PVC-U = Unplasticised Polyvinylchloride

Manufacture

- Injection moulded



Available items

ART.CODE	d	Z	B	Type	PN	Verp
2.25.010	10	6	12	A	16	250 (5 x 50)
2.25.012*	12	7	12	A	16	250 (5 x 50)
2.25.016*	16	9	15	A	16	250 (5 x 50)
2.25.020*	20	11.5	16	A	16	200 (4 x 50)

Van de Lande BV

Lissenveld 1 \ 4941 VK Raamsdonksveer \ The Netherlands \ t +31 (0)162 51 60 00 \ f +31 (0)162 52 14 17 \ sales@vandelande.com
 Traderegister Tilburg: 18070844 \ IBAN: NL13 RABO 0143 0035 26 \ BIC: RABONL2U \ VAT: NL 8123.91.755.B01

ART.CODE	d	Z	B	Type	PN	Verp
2.25.025*	25	14	20	A	16	350
2.25.032*	32	19	22	A	16	250
2.25.033	32	19	22	A	10	250
2.25.040*	40	22	26	A	16	175
2.25.041	40	22	26	A	10	175
2.25.050*	50	27.5	31	A	16	100
2.25.051	50	27.5	31	A	10	100
2.25.063*	63	33.5	38	A	16	50
2.25.064	63	33.5	38	A	10	55
2.25.075	75	40	44	A	16	30
2.25.076	75	40	44	A	10	30
2.25.090	90	47.5	51	A	16	17
2.25.091	90	46	51	A	10	17
2.25.110	110	56	61	A	16	12
2.25.111	110	54	61	A	10	12
2.25.125	125	63.5	69	A	16	6
2.25.140	140	67	76	A	16	5
2.25.160	160	80	87	A	16	2
2.25.200	200	106	107	A	10	1
2.25.225	225	118.5	120	A	10	1
2.25.250	250	131	132	A	10	1
2.25.280	280	210	147	B	10	1
2.25.315	315	237	165	B	10	1
2.25.400	400	300	207	B	6	1

Van de Lande BV

Lissenveld 1 \ 4941 VK Raamsdonksveer \ The Netherlands \ t +31 (0)162 51 60 00 \ f +31 (0)162 52 14 17 \ sales@vandelande.com
Traderegister Tilburg: 18070844 \ IBAN: NL13 RABO 0143 0035 26 \ BIC: RABONL2U \ VAT: NL 8123.91.755.B01

www.vandelande.com

All our transactions are subject to the Van de Lande General Terms of Sale. A copy of these can be provided immediately upon your request.