

3.40 Screwcap

Product information

Characteristics

- BSP female thread
- With rubber washer

Material

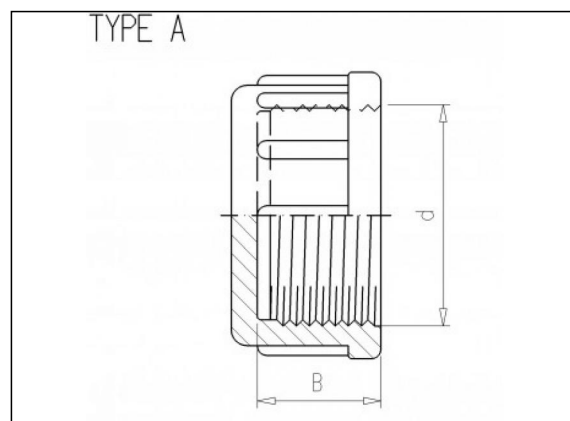
- PVC-U = Unplasticised Polyvinylchloride

Gaskets

- EPDM

Manufacture

- Injection moulded



Available items

ART.CODE	d	B	Type	PN	Verp
3.40.010	3/8" (F)	13	A	10	250 (5x50)
3.40.020	1/2" (F)	14	A	10	500 (10x5 0)
3.40.030	3/4" (F)	16	A	10	400 (8x50)
3.40.040	1" (F)	17	A	10	500 (10x5 0)

Van de Lande BV

Lissenveld 1 \ 4941 VK Raamsdonksveer \ The Netherlands \ t +31 (0)162 51 60 00 \ f +31 (0)162 52 14 17 \ sales@vandelande.com
 Traderegister Tilburg: 18070844 \ IBAN: NL13 RABO 0143 0035 26 \ BIC: RABONL2U \ VAT: NL 8123.91.755.B01

ART.CODE	d	B	Type	PN	Verp
3.40.050	1 1/4" (F)	19	A	10	500 (10x5 0)
3.40.060	1 1/2" (F)	23	B	10	300
3.40.062	1 1/2" (F)	23	A	10	300
3.40.070	2" (F)	27	B	10	150
3.40.072	2" (F)	23	A	10	150
3.40.075	2 1/4" (F)	25	A	10	25
3.40.080	2 1/2" (F)	31	B	10	100
3.40.082	2 1/2" (F)	29	A	10	100
3.40.085	2 3/4" (F)	32	A	10	25
3.40.090	3" (F)	34	B	10	50
3.40.092	3" (F)	31	A	10	50
3.40.100	4" (F)	41	B	6	10
3.40.102	4" (F)	37	A	6	10

Van de Lande BV

Lissenveld 1 \ 4941 VK Raamsdonksveer \ The Netherlands \ t +31 (0)162 51 60 00 \ f +31 (0)162 52 14 17 \ sales@vandelande.com
 Traderegister Tilburg: 18070844 \ IBAN: NL13 RABO 0143 0035 26 \ BIC: RABONL2U \ VAT: NL 8123.91.755.B01

www.vandelande.com

All our transactions are subject to the Van de Lande General Terms of Sale. A copy of these can be provided immediately upon your request.