

# 3.60 Adaptor union type A

## Product information

### Material

- PVC-U = Unplasticised Polyvinylchloride

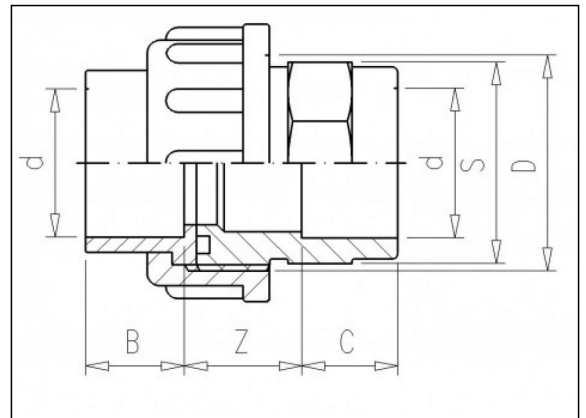
### Gaskets

- EPDM

### Manufacture

- Injection moulded

## Parts



## Available items

ART.CODE	d	Z	B	C	D	S	PN	Verp
3.60.010	10	22	12	12	5/8"	23	16	200
3.60.012	12	22	12	12	5/8"	23	16	200
3.60.016	16	23	14	14	3/4" "	25	16	100
3.60.020	20	25	16	16	1"	30	16	100
3.60.025	25	23	19	19	1 1/4"	36	16	60
3.60.032	32	24	22	22	1 1/2"	44	16	150
3.60.040	40	23	26	26	2"	54	16	100

### Van de Lande BV

Lissenveld 1 \ 4941 VK Raamsdonksveer \ The Netherlands \ t +31 (0)162 51 60 00 \ f +31 (0)162 52 14 17 \ sales@vandelande.com  
 Traderegister Tilburg: 18070844 \ IBAN: NL13 RABO 0143 0035 26 \ BIC: RABONL2U \ VAT: NL 8123.91.755.B01

ART.CODE	d	Z	B	C	D	S	PN	Verp
3.60.050	50	23	31	31	2 1/4"	64	16	60
3.60.063	63	20	38	38	2 3/4"	80	16	45
3.60.075	75	28	44	44	ZGTD	94	10	25
3.60.090	90	34	51	51	ZGTD	114	10	15
3.60.110	110	36	61	61	ZGTD	138	10	6

**Van de Lande BV**

Lissenveld 1 \ 4941 VK Raamsdonksveer \ The Netherlands \ t +31 (0)162 51 60 00 \ f +31 (0)162 52 14 17 \ sales@vandelande.com  
Traderegister Tilburg: 18070844 \ IBAN: NL13 RABO 0143 0035 26 \ BIC: RABONL2U \ VAT: NL 8123.91.755.B01

All our transactions are subject to the Van de Lande General Terms of Sale. A copy of these can be provided immediately upon your request.