

3.70 Adaptor union

Product information

Characteristics

- BSP male thread

Material

- PVC-U = Unplasticised Polyvinylchloride

Gaskets

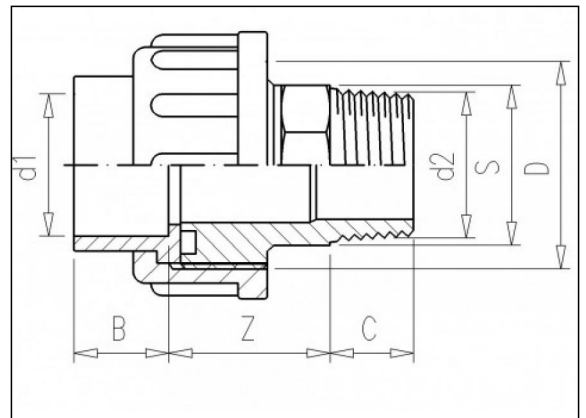
- EPDM

Manufacture

- Injection moulded



Parts



Available items

ART.CODE	d1	d2	Z	B	C	D	S	PN	Verp
3.70.010	10	1/4" (M)	27	12	12	5/8"	23	16	100
3.70.012	12	1/4" (M)	27	12	12	5/8"	23	16	100
3.70.016	16	3/8" (M)	31	14	12	3/4"	24	16	100
3.70.020	20	1/2" (M)	32	16	17	1"	28	16	100
3.70.025	25	3/4" (M)	35	19	17	1 1/4"	32	16	60

Van de Lande BV

Lissenveld 1 \ 4941 VK Raamsdonksveer \ The Netherlands \ t +31 (0)162 51 60 00 \ f +31 (0)162 52 14 17 \ sales@vandelande.com
 Traderegister Tilburg: 18070844 \ IBAN: NL13 RABO 0143 0035 26 \ BIC: RABONL2U \ VAT: NL 8123.91.755.B01

ART.CODE	d1	d2	Z	B	C	D	S	PN	Verp
3.70.032	32	1" (M)	36	22	21	1 1/2"	38	16	100
3.70.040	40	1 1/4" (M)	40	26	23	2"	46	16	80
3.70.050	50	1 1/2" (M)	43	31	23	2 1/4"	55	16	60
3.70.063	63	2" (M)	46	38	27	2 3/4"	65	16	45
3.70.075	75	2 1/2" (M)	56	44	34	ZGTD	94	10	25
3.70.090	90	3" (M)	68	51	37	ZGTD	114	10	15
3.70.110	110	4" (M)	77	61	43	ZGTD	138	10	8

Van de Lande BV

Lissenveld 1 \ 4941 VK Raamsdonksveer \ The Netherlands \ t +31 (0)162 51 60 00 \ f +31 (0)162 52 14 17 \ sales@vandelande.com
Traderegister Tilburg: 18070844 \ IBAN: NL13 RABO 0143 0035 26 \ BIC: RABONL2U \ VAT: NL 8123.91.755.B01

www.vandelande.com

All our transactions are subject to the Van de Lande General Terms of Sale. A copy of these can be provided immediately upon your request.