



# VICTORIA PLUS SILENT

LONG SERVICE LIFE  
AND PERFORMANCE



ASTRALPOOL PUMPS. EXCELLENCE AT THE HEART OF THE POOL.

**ASTRALPOOL** 

# VICTORIA PLUS SILENT

Victoria Plus Silent is the widest range of AstralPool pumps that comes to serve any residential pool. It combines high performance and easy maintenance, all in one single speed pump.

Its high-quality materials and careful production ensures it is a long-lasting pump.

## LONG SERVICE LIFE

With its **state-of-the-art thermoplastic materials and motor with an IP-55 protection rating**, the Victoria Plus Silent was created with longevity in mind.

Thanks to its **high-quality components**, it can withstand hot environments and high levels of humidity. Engineered and tested for harsh conditions, it has up to a **5-year warranty**.



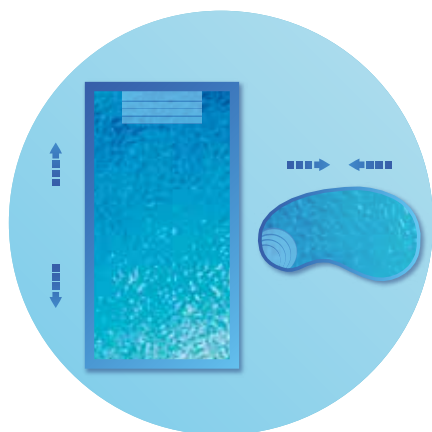
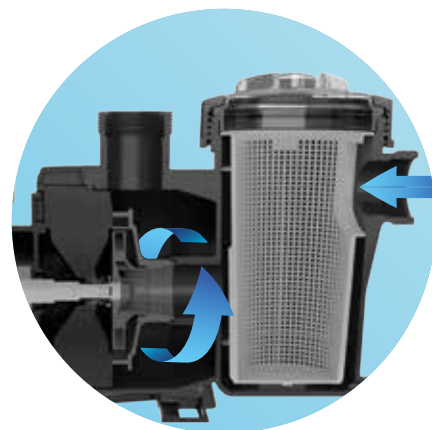
\* 3 years warranty + 2 years if the product installation is registered. Check the conditions for warranty extension





## SUPERIOR PERFORMANCE

Thanks to its hydraulic and motors designs, the Victoria Plus Silent is a **high-performing** and **efficient** single speed pump with excellent flow and pressure output.



## SUITABLE FOR ALL POOLS

Available in a **wide range** of powers for single-phase and three-phase motors, Victoria Plus Silent **adapts to any pool size**.

With high resistance in all the parts in contact with the water, it can be installed in all pool treatments, including **salt water chlorinated pools**.

It is fully backward compatible in pools equipped with Victoria Plus pumps.

Victoria Plus Silent has been **designed and produced in Europe** with high-quality components to be a reliable pump.

All the pumps are tested under the worst conditions before being delivered, to ensure a long-lasting and problems-free life.

\* 3 years warranty + 2 years if the product installation is registered. Check the conditions for warranty extension

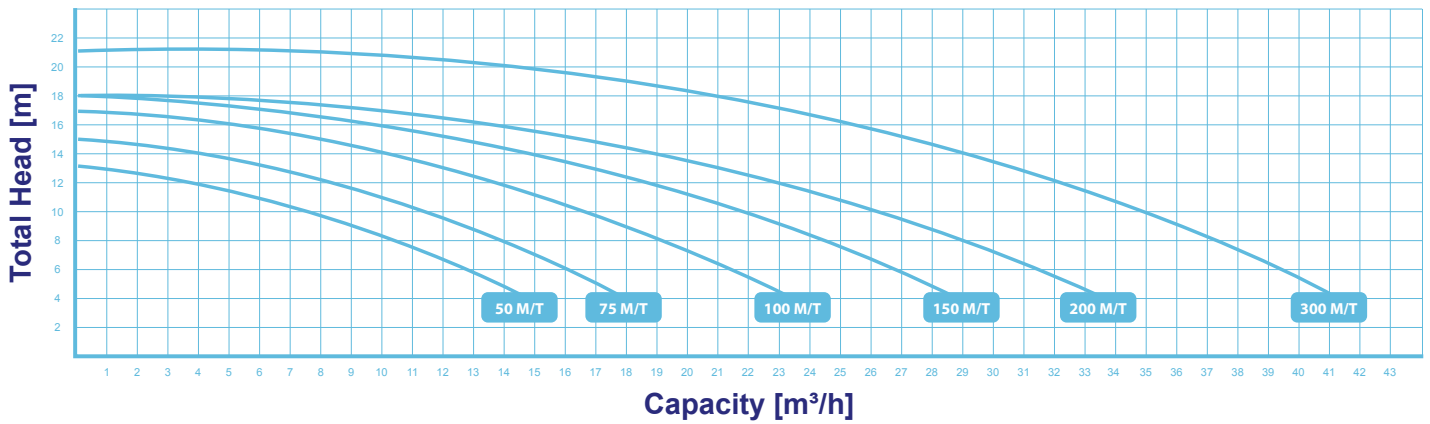


# TECHNICAL FEATURES

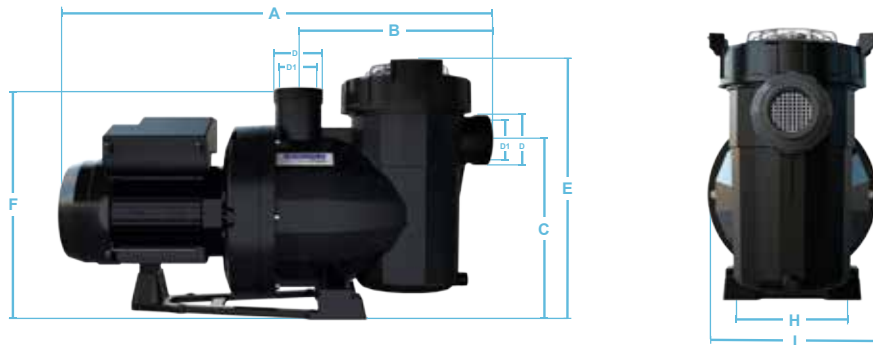


| CODE  | MODEL | Voltage            | Capacity                           | Head               | Max. Head            | Max. Capacity at Head=4m             | Motor Rated Output   | Max. Absorbed Power    | Pipe Size | Packaging Weight | Packaging Volume |
|-------|-------|--------------------|------------------------------------|--------------------|----------------------|--------------------------------------|----------------------|------------------------|-----------|------------------|------------------|
|       |       | U <sub>N</sub> (V) | Q <sub>N</sub> (m <sup>3</sup> /h) | H <sub>N</sub> (m) | H <sub>MAX</sub> (m) | Q <sub>MAX</sub> (m <sup>3</sup> /h) | P <sub>2N</sub> (kW) | P <sub>1MAX</sub> (kW) | D (mm)    | Kg               | m <sup>3</sup>   |
| 65557 | 50M   | 230                | 7,5                                | 10                 | 13                   | 14,5                                 | 0,38                 | 0,58                   | D50       | 12               | 0,07             |
| 65558 | 50T   | 230/400            | 7,5                                | 10                 | 13                   | 14,5                                 | 0,38                 | 0,55                   | D50       | 12               | 0,07             |
| 65560 | 75M   | 230                | 11                                 | 10                 | 15                   | 18                                   | 0,56                 | 0,72                   | D50       | 13               | 0,07             |
| 65561 | 75T   | 230/400            | 11                                 | 10                 | 15                   | 18                                   | 0,56                 | 0,72                   | D50       | 13               | 0,07             |
| 65562 | 100M  | 230                | 16                                 | 10                 | 17                   | 23,5                                 | 0,75                 | 0,98                   | D50       | 14               | 0,07             |
| 65563 | 100T  | 230/400            | 16                                 | 10                 | 17                   | 23,5                                 | 0,75                 | 1,02                   | D50       | 14               | 0,07             |
| 65564 | 150M  | 230                | 21,5                               | 10                 | 18                   | 29                                   | 1,12                 | 1,40                   | D63       | 17               | 0,07             |
| 65565 | 150T  | 230/400            | 21,5                               | 10                 | 18                   | 29                                   | 1,12                 | 1,40                   | D63       | 17               | 0,07             |
| 65566 | 200M  | 230                | 26                                 | 10                 | 18                   | 33,5                                 | 1,49                 | 1,80                   | D63       | 18               | 0,07             |
| 65567 | 200T  | 230/400            | 26                                 | 10                 | 18                   | 33,5                                 | 1,49                 | 1,80                   | D63       | 19               | 0,07             |
| 65569 | 300M  | 230                | 35                                 | 10                 | 21                   | 41                                   | 2,24                 | 2,59                   | D75       | 23               | 0,07             |
| 65570 | 300T  | 230/400            | 35                                 | 10                 | 21                   | 41                                   | 2,24                 | 2,40                   | D75       | 19               | 0,07             |

## PERFORMANCE



## DIMENSIONS



| CODE  | DIMENSIONS (mm) |     |     |  |        |     |     |     |     |
|-------|-----------------|-----|-----|--|--------|-----|-----|-----|-----|
|       | A               | B   | C   | D  | D1     | E   | F   | H   | I   |
| 65557 | 581             | 281 | 246 | External Thread the Victoria Plus Silent | 2" GAS | 359 | 322 | 164 | 254 |
| 65558 | 581             | 281 | 246 |  | 2" GAS | 359 | 322 | 164 | 254 |
| 65560 | 581             | 281 | 246 |  | 2" GAS | 359 | 322 | 164 | 254 |
| 65561 | 581             | 281 | 246 |  | 2" GAS | 359 | 322 | 164 | 254 |
| 65562 | 581             | 281 | 246 |  | 2" GAS | 359 | 322 | 164 | 254 |
| 65563 | 581             | 281 | 246 |  | 2" GAS | 359 | 322 | 164 | 254 |
| 65564 | 615             | 281 | 246 |  | 2" GAS | 359 | 356 | 164 | 254 |
| 65565 | 615             | 281 | 246 |  | 2" GAS | 359 | 356 | 164 | 254 |
| 65566 | 615             | 281 | 246 |  | 2" GAS | 359 | 356 | 164 | 254 |
| 65567 | 615             | 281 | 246 |  | 2" GAS | 359 | 356 | 164 | 254 |
| 65569 | 646             | 281 | 246 |  | 2" GAS | 359 | 387 | 164 | 254 |
| 65570 | 615             | 281 | 246 |  | 2" GAS | 359 | 356 | 164 | 254 |